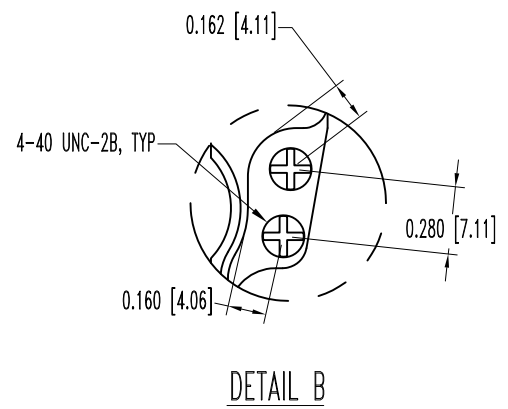
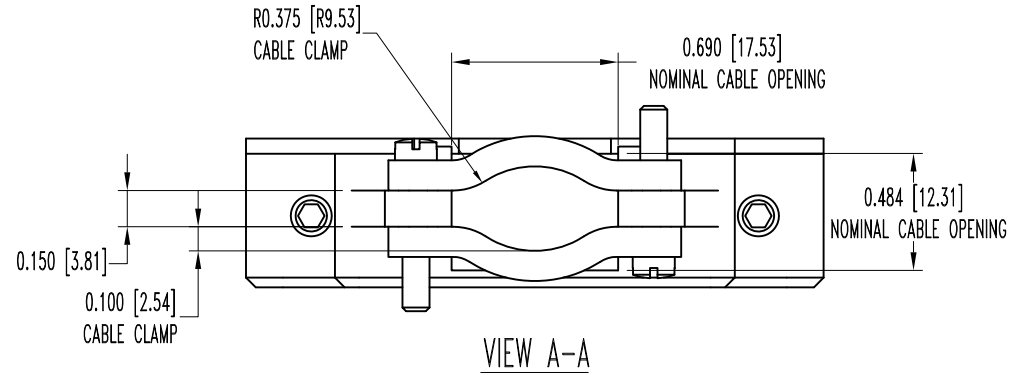
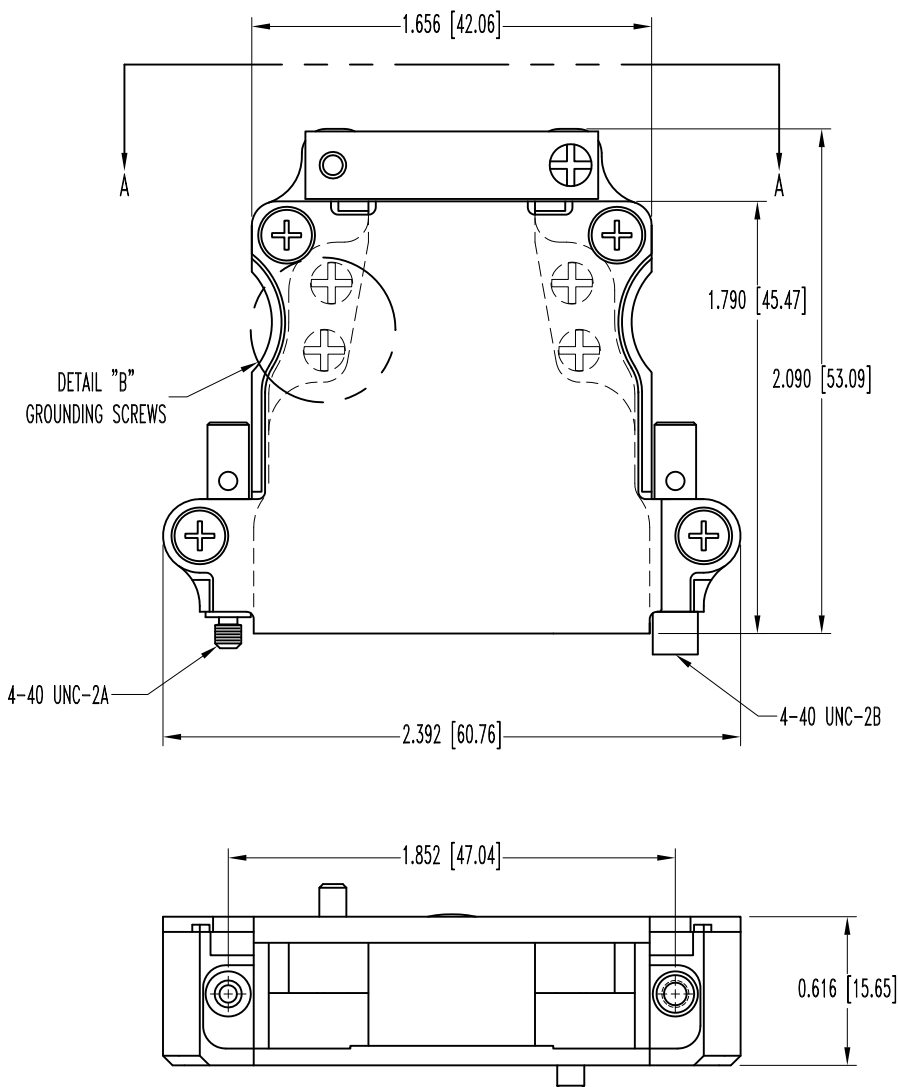


SK11938

THIS DRAWING CONTAINS INFORMATION PROPRIETARY TO POSITRONIC AND ITS SUBSIDIARIES. POSITRONIC BELIEVES THE DATA ON THIS DRAWING TO BE RELIABLE. SINCE THE TECHNICAL INFORMATION IS GIVEN FREE OF CHARGE, THE USER EMPLOYS SUCH INFORMATION AT HIS OWN DISCRETION AND RISK. POSITRONIC ASSUMES NO RESPONSIBILITY FOR RESULTS OBTAINED OR DAMAGES INCURRED FROM USE OF SUCH INFORMATION IN WHOLE OR IN PART.

DATE	REV	REVISION RECORD	APP	DR	CK
11-15-10	NC	ECO 33304	COLE	BS	COLE



NOTES:

- MATERIALS AND FINISHES:
 HOOD, COVER, AND CABLE CLAMPS: ALUMINUM.
 KNOBS: ALUMINUM WITH NICKEL PLATE.
 JACKSCREWS: STEEL WITH NICKEL PLATE.
 SCREWS: STEEL, ZINC PLATE WITH CHROMATE SEAL.
 HOOD SCREWS: STEEL WITH NICKEL PLATE.
- DETAILED PRODUCT, MECHANICAL, AND ELECTRICAL INFORMATION IS AVAILABLE IN THE LATEST D-SUB ACCESSORY PRODUCT PUBLICATION. VISIT CONNECTPOSITRONIC.COM/PRODUCTS/58/D-SUBMINIATUREACCESSORIES OR CONNECTPOSITRONIC.COM.
- DIMENSIONS ARE IN INCHES [MILLIMETERS].

	POSITRONIC INDUSTRIES INC. www.connectpositronic.com		FSCM 28198
	D SERIES	SCALE N.T.S.	DRAWN BY B SHELEDY
DECIMAL TOL. ± 0.015 [0.38]	TITLE D25000ACE60		
ANGULAR TOL. ± 5°	DATE 11-15-10	DRAWING NUMBER SK11938	REV. NC
		APPROVED BY COLE	