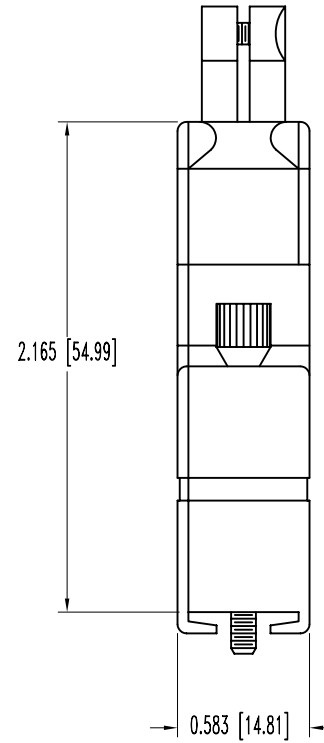
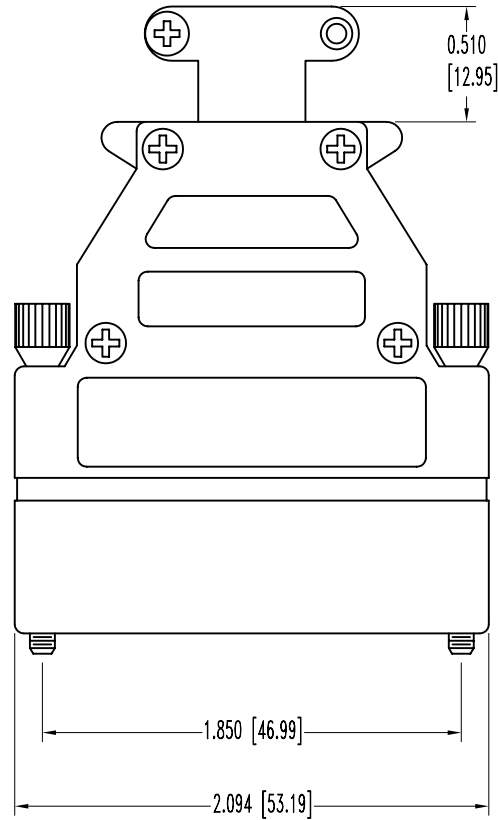


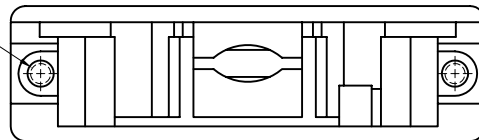
SK6125

THIS DRAWING CONTAINS INFORMATION PROPRIETARY TO POSITRONIC IND. INC. ANY REPRODUCTION, DISCLOSURE OR USE OF THIS DRAWING IS EXPRESSLY PROHIBITED, EXCEPT AS POSITRONIC IND. INC. MAY OTHERWISE AGREE IN WRITING.

DATE	REV	REVISION RECORD	APP	DR	CK
4-7-05	NC	ECO 23916		YK	



2X 4-40 UNC



NOTES:

- MATERIALS AND FINISHES:
 HOOD: ZINC, DIE CAST.
 CABLE CLAMPS: ZINC, DIE CAST.
 SCREWS: STEEL WITH NICKEL PLATE
 JACKSCREWS: STEEL WITH NICKEL PLATE.
- MOS 1023.5 ALLOWS FOR SPECIAL TALL 'GE' HOOD WITH HARDWARE TO BE KITTED.
- DIMENSIONS ARE IN INCHES [MILLIMETERS].

	POSITRONIC INDUSTRIES INC. SPRINGFIELD, MISSOURI 65801		SCALE	DRAWN BY
	D SERIES		N.T.S.	YK
DECIMAL TOL. ± 0.015 [0.38]	TITLE D25000GE0-1023.5			
ANGULAR TOL. ± N/A	DATE 4-7-05	DRAWING NUMBER SK6125	REV. NC	