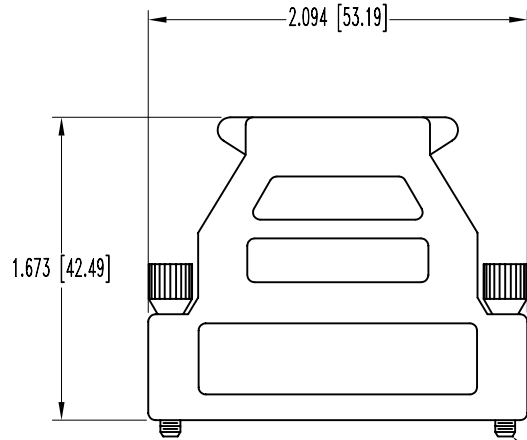


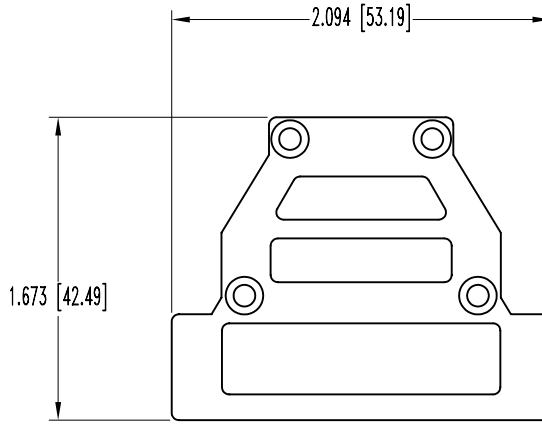
SK1990

POSITRONIC INDUSTRIES BELIEVES THE DATA ON THIS DRAWING TO BE RELIABLE. SINCE THE TECHNICAL INFORMATION IS GIVEN FREE OF CHARGE, THE USER EMPLOYS SUCH INFORMATION AT HIS OWN DISCRETION AND RISK. POSITRONIC INDUSTRIES ASSUMES NO RESPONSIBILITY FOR RESULTS OBTAINED OR DAMAGES INCURRED FROM USE OF SUCH INFORMATION IN WHOLE OR IN PART.

DATE	REV	REVISION RECORD	APP	DR	CK
1-25-06	A	ECO 25404		YK	

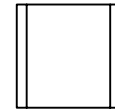


HOOD ASSEMBLY(1)

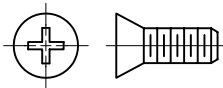


COVER(1)

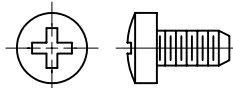
2X 4-40UNC-2A



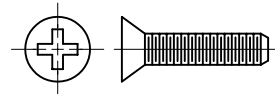
PLUG(2)



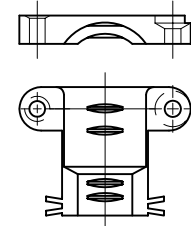
COVER SCREW(4)



INTERNAL GROUNDING SCREW(1)



CABLE CLAMP SCREW(2)



CABLE CLAMP (1 SET)

NOTES:

- MATERIAL AND FINISHES:
HOOD AND CABLE CLAMPS: ZINC, DIE CAST.
JACKSCREWS: STEEL, NICKEL PLATE.
SCREWS: STEEL, NICKEL PLATE.
- HOOD CONSISTS OF: (1) HOOD, (1) COVER, (2) PLUGS, (4) COVER SCREWS, (1) INTERNAL SCREW, (2) SHOULDER SCREWS, 1 SET CABLE CLAMPS AND (2) CABLE CLAMP SCREWS.
- DIMENSIONS ARE IN INCHES [MILLIMETERS].

 POSITRONIC INDUSTRIES INC. www.connectpositronic.com		SCALE N.T.S.		DRAWN BY YK	
DECIMAL TOL. ± N/A		D SERIES		APPROVED BY	
		TITLE D25000GEO			
ANGULAR TOL. ± N/A		DATE 1-25-06		DRAWING NUMBER SK1990	
				REV. A	