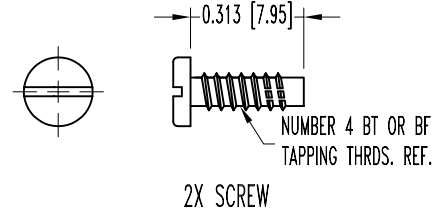
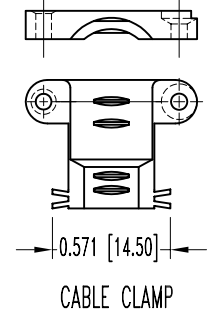
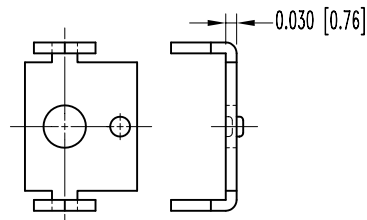
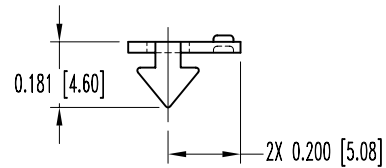
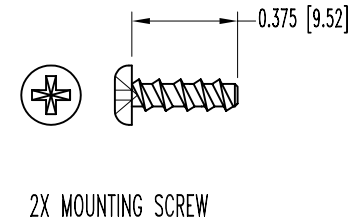
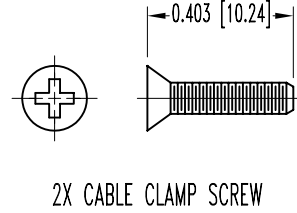
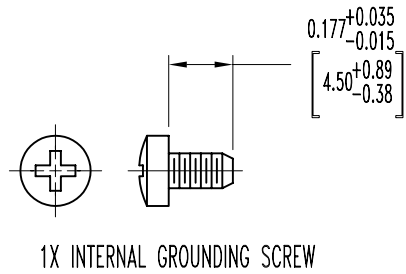
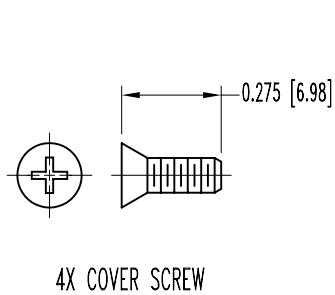
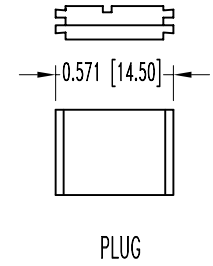
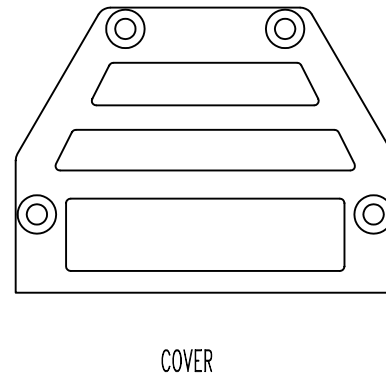
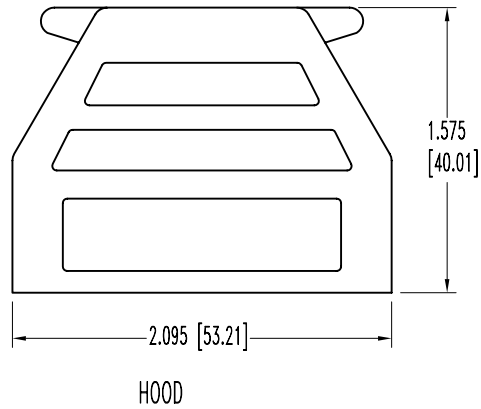


POSITRONIC INDUSTRIES BELIEVES THE DATA ON THIS DRAWING TO BE RELIABLE. SINCE THE TECHNICAL INFORMATION IS GIVEN FREE OF CHARGE, THE USER EMPLOYS SUCH INFORMATION AT HIS OWN DISCRETION AND RISK. POSITRONIC INDUSTRIES ASSUMES NO RESPONSIBILITY FOR RESULTS OBTAINED OR DAMAGES INCURRED FROM USE OF SUCH INFORMATION IN WHOLE OR IN PART.

DATE	REV	REVISION RECORD	APP	DR	CK
3-20-06	NC	ECO 25669	RCW	YK	TK
1-9-07	A	ECO 27308		YK	



- NOTES:
- THIS KIT CONSISTS OF: (1) HOOD, (1) COVER, (2) PLUGS, (4) COVER SCREWS, (1) INTERNAL SCREW, (2) MOUNTING SCREWS, 1 SET CABLE CLAMPS, (2) CABLE CLAMP SCREWS, (2) LOCK TABS AND (2) SCREWS.
 - DIMENSIONS ARE IN INCHES [MILLIMETERS].

	POSITRONIC INDUSTRIES INC. www.connectpositronic.com		SCALE	DRAWN BY
	D SERIES		N.T.S.	YK
DECIMAL TOL.	TITLE		APPROVED BY	RCW
± N/A	D25000GV50			
ANGULAR TOL.	DATE	DRAWING NUMBER	REV.	
± N/A	3-20-06	SK7186	A	