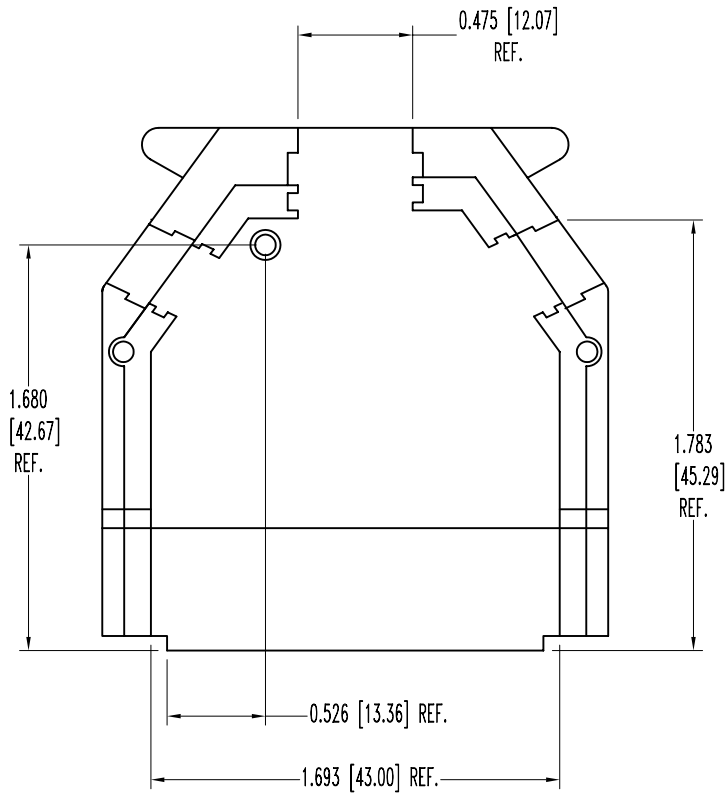


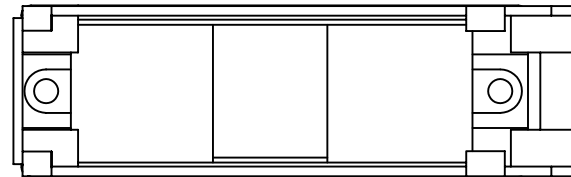
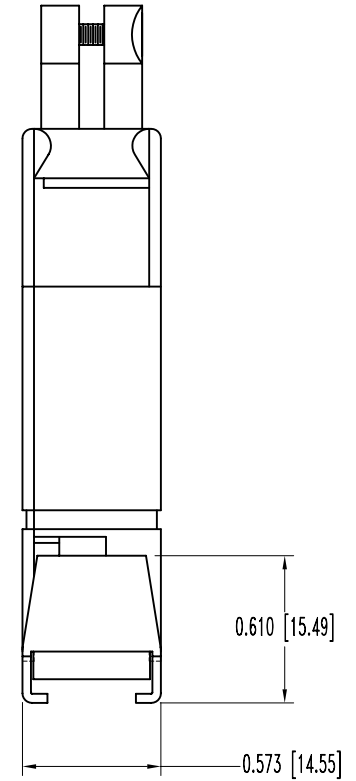
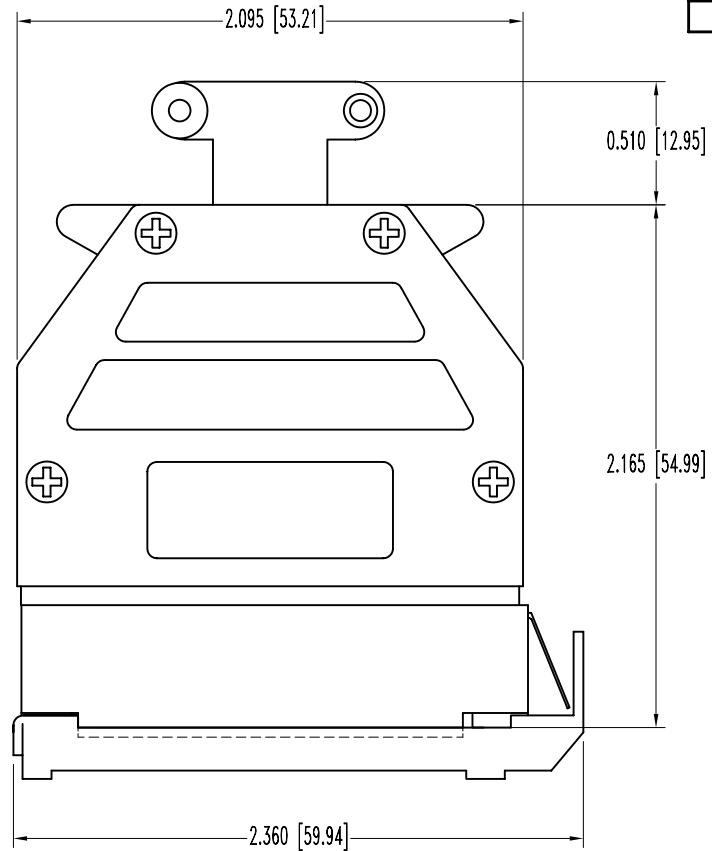
SK4150

POSITRONIC INDUSTRIES BELIEVES THE DATA ON THIS DRAWING TO BE RELIABLE, SINCE THE TECHNICAL INFORMATION IS GIVEN FREE OF CHARGE, THE USER EMPLOYS SUCH INFORMATION AT HIS OWN DISCRETION AND RISK. POSITRONIC INDUSTRIES ASSUMES NO RESPONSIBILITY FOR RESULTS OBTAINED OR DAMAGES INCURRED FROM USE OF SUCH INFORMATION IN WHOLE OR IN PART.

DATE	REV	REVISION RECORD	APP	DR	CK
1-29-02	NC	ECO 18896	RCW	YK	TK
9-29-06	NC	ECO 26782		YK	



INSIDE VIEW



NOTES:

- MOS 1023.0 ALLOWS FOR THE PART NUMBER: D25000GVLO-1023.0 TO HAVE THE SPECIAL TALL "GVL" HOOD WITH HARDWARE TO BE KITTED.
- DIMENSIONS ARE IN INCHES [MILLIMETERS].

	POSITRONIC INDUSTRIES INC. www.connectpositronic.com		SCALE	DRAWN BY
	D SERIES		N.T.S.	Y. KELLEYBREW
DECIMAL TOL. ± 0.015 [0.38]	TITLE D25000GVLO-1023.0		APPROVED BY	RCW
ANGULAR TOL. ± 5°	DATE 1-29-02	DRAWING NUMBER SK4150	REV.	A