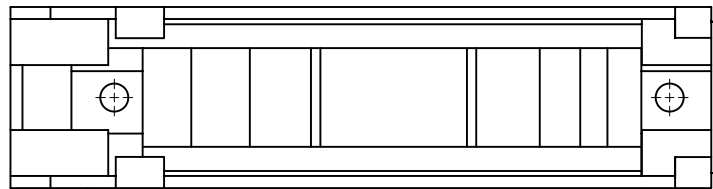
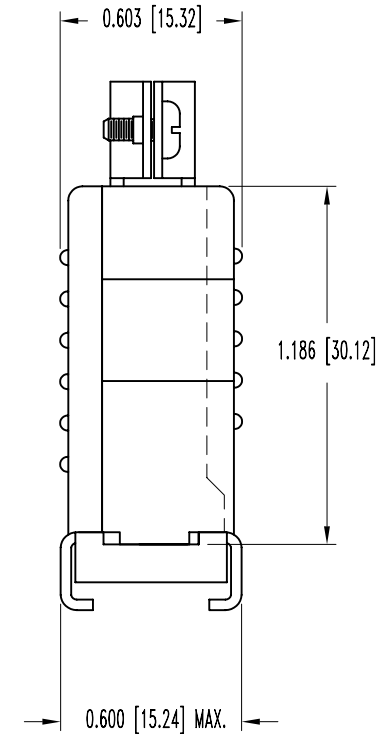
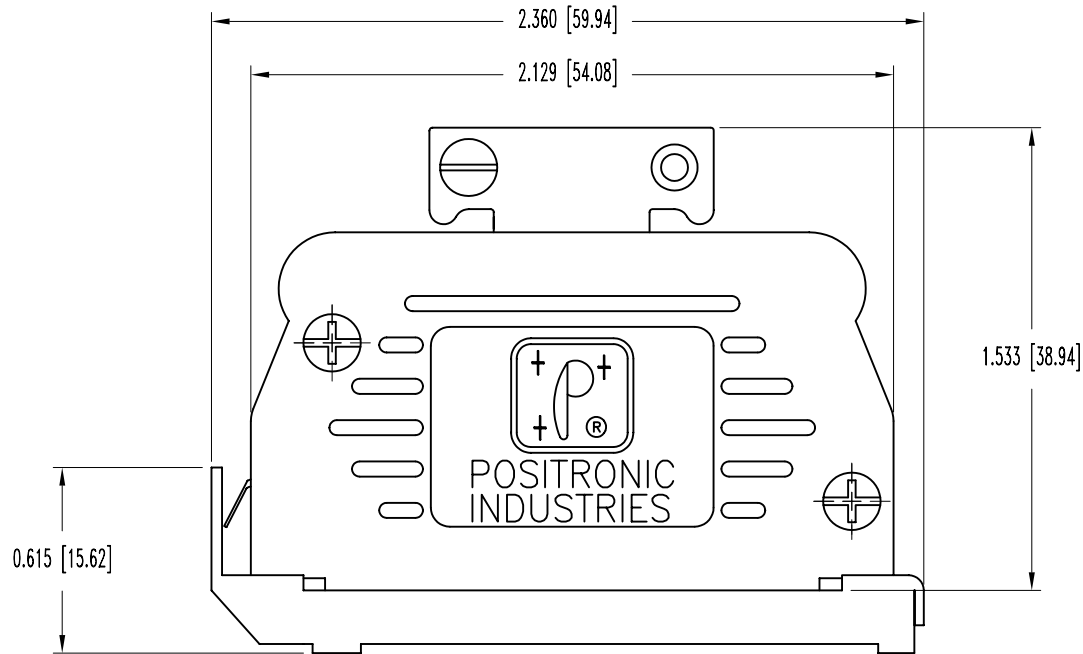


SK5698

POSITRONIC INDUSTRIES BELIEVES THE DATA ON THIS DRAWING TO BE RELIABLE. SINCE THE TECHNICAL INFORMATION IS GIVEN FREE OF CHARGE, THE USER EMPLOYS SUCH INFORMATION AT HIS OWN DISCRETION AND RISK. POSITRONIC INDUSTRIES ASSUMES NO RESPONSIBILITY FOR RESULTS OBTAINED OR DAMAGES INCURRED FROM USE OF SUCH INFORMATION IN WHOLE OR IN PART.

DATE	REV	REVISION RECORD	APP	DR	CK
9-30-04	NC	ECO 23073		YK	

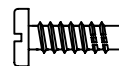


NOTES:


1. MATERIAL:

- HOOD: GLASS FILLED NYLON, 94V-0, BLACK.
- LOCK LEVER: STEEL, NICKEL PLATED.
- CABLE CLAMPS: STEEL, NICKEL PLATE.
- CABLE CLAMP SCREWS: STEEL, ZINC PLATE WITH DICHROMATE SEAL.
- COVER SCREWS: STEEL, ZINC PLATE WITH DICHROMATE SEAL.
- LOCK LEVER SCREWS: BRASS, ZINC PLATE WITH DICHROMATE SEAL.
- MOUNTING SCREWS: STEEL, ZINC PLATE WITH DICHROMATE SEAL.

2. DIMENSIONS ARE IN INCHES [MILLIMETERS].



CONNECTOR MOUNTING SCREW
2X

	POSITRONIC INDUSTRIES INC. www.connectpositronic.com		SCALE	DRAWN BY
			N.T.S.	YK
DECIMAL TOL. ± 0.015 [0.38]	TITLE D HOOD		APPROVED BY	
	D25000JVLO			
ANGULAR TOL. ± 5°	DATE 9-30-04	DRAWING NUMBER SK5698	REV. NC	