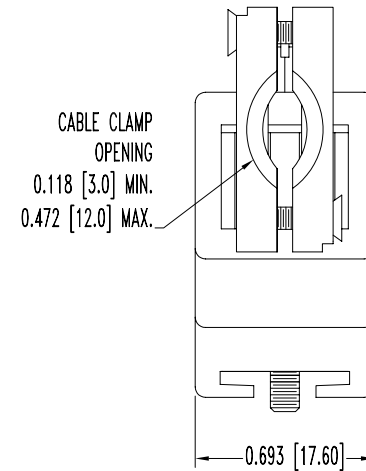
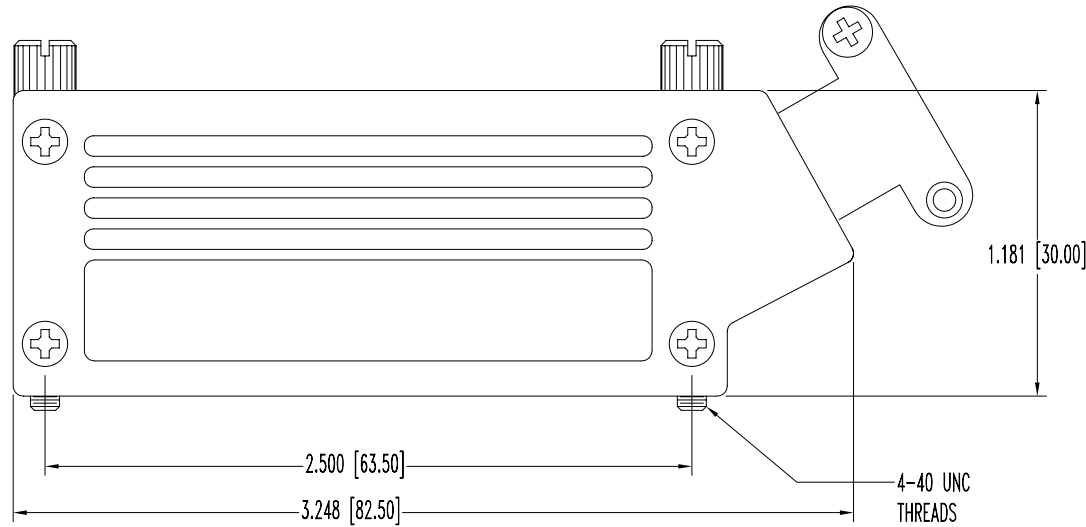


SK9246

THIS DRAWING CONTAINS INFORMATION PROPRIETARY TO POSITRONIC IND. INC. ANY REPRODUCTION, DISCLOSURE OR USE OF THIS DRAWING IS EXPRESSLY PROHIBITED, EXCEPT AS POSITRONIC IND. INC. MAY OTHERWISE AGREE IN WRITING.

DATE	REV	REVISION RECORD	APP	DR	CK
2-19-08	NC	ECO 29028	RCW	YK	COLE



NOTES:

- MATERIALS AND FINISHES:  
HOOD: ZINC, DIE CAST.  
CABLE CLAMPS: ZINC, DIE CAST.  
JACKSCREWS: STEEL, NICKEL PLATE.  
SCREWS: STEEL, NICKEL PLATE.
- THIS KIT CONSISTS OF (1) HOOD, (1) COVER, (4) COVER SCREWS, (1) GROUNDING SCREW, (2) JACKSCREWS, (2) CABLE CLAMPS AND (2) CABLE CLAMP SCREWS.
- DIMENSIONS ARE IN INCHES [MILLIMETERS].

	<b>POSITRONIC INDUSTRIES INC.</b> SPRINGFIELD, MISSOURI 65801		SCALE	DRAWN BY
	D SERIES		N.T.S.	YK
DECIMAL TOL. $\pm 0.015 [0.38]$	TITLE <b>D37000GA0</b>			
ANGULAR TOL. $\pm N/A$	DATE 2-19-08	DRAWING NUMBER SK9246	REV. NC	APPROVED BY