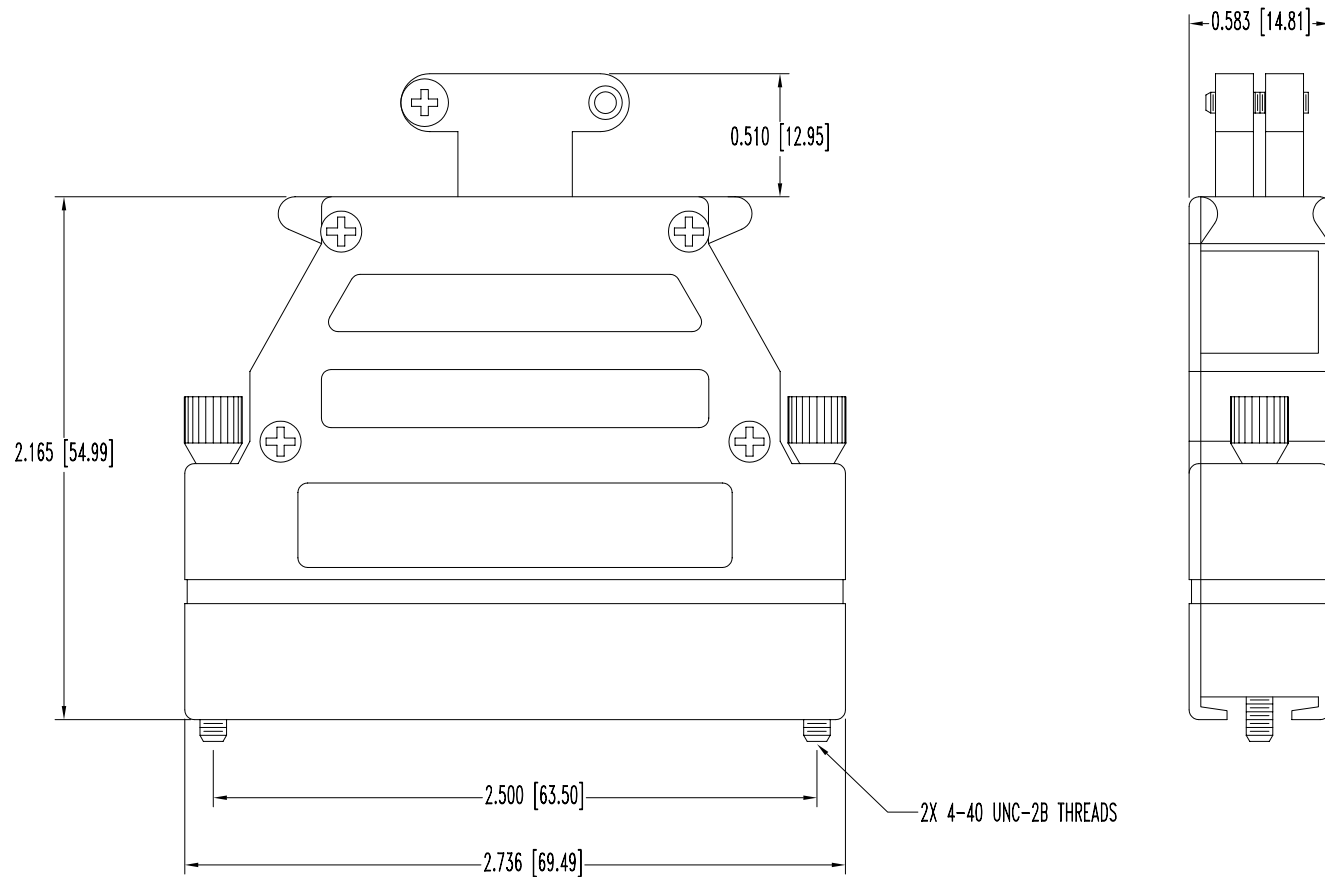


SK8901

POSITRONIC INDUSTRIES BELIEVES THE DATA ON THIS DRAWING TO BE RELIABLE. SINCE THE TECHNICAL INFORMATION IS GIVEN FREE OF CHARGE, THE USER EMPLOYS SUCH INFORMATION AT HIS OWN DISCRETION AND RISK. POSITRONIC INDUSTRIES ASSUMES NO RESPONSIBILITY FOR RESULTS OBTAINED OR DAMAGES INCURRED FROM USE OF SUCH INFORMATION IN WHOLE OR IN PART.

DATE	REV	REVISION RECORD	APP	DR	CK
8-31-07	NC	ECO 28387	RCW	YK	TK



NOTES:

- MATERIALS AND FINISHES:
HOOD & CABLE CLAMPS: DIE CAST ZINC.
JACKSCREWS: STEEL, NICKEL PLATE.
SCREWS: STEEL, NICKEL PLATE.
- MOS 1023.5 ALLOWS FOR SPECIAL TALL 'GE' HOOD AND HARDWARE TO BE KITTED.
- DIMENSIONS ARE IN INCHES [MILLIMETERS].

	POSITRONIC INDUSTRIES INC. www.connectpositronic.com		FSCM 28198
	DECIMAL TOL. ± 0.015 [0.38]	D SERIES	SCALE N.T.S.
ANGULAR TOL. $\pm 5^\circ$	TITLE D37000GE0-1023.5		APPROVED BY RCW
	DATE 8-31-07	DRAWING NUMBER SK8901	REV. NC