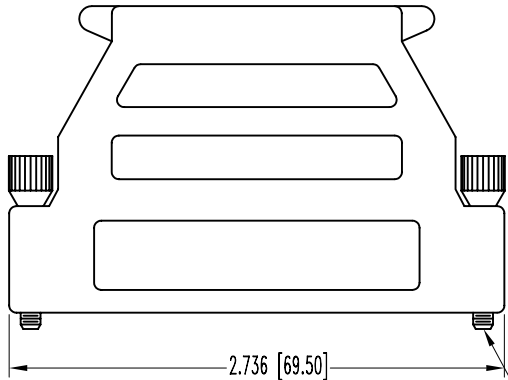


SK7471

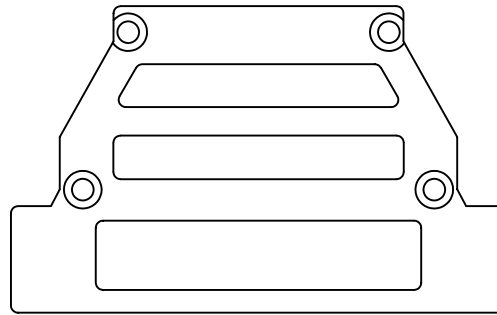
POSITRONIC INDUSTRIES BELIEVES THE DATA ON THIS DRAWING TO BE RELIABLE. SINCE THE TECHNICAL INFORMATION IS GIVEN FREE OF CHARGE, THE USER EMPLOYS SUCH INFORMATION AT HIS OWN DISCRETION AND RISK. POSITRONIC INDUSTRIES ASSUMES NO RESPONSIBILITY FOR RESULTS OBTAINED OR DAMAGES INCURRED FROM USE OF SUCH INFORMATION IN WHOLE OR IN PART.

DATE	REV	REVISION RECORD	APP	DR	CK
6-1-06	NC	ECO 26049		YK	

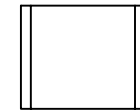
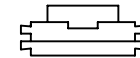


HOOD ASSEMBLY(1)

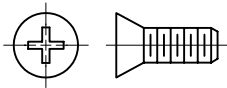
2X 4-40 UNC



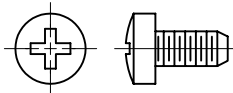
COVER(1)



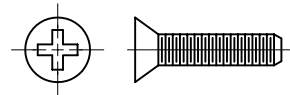
PLUG(2)



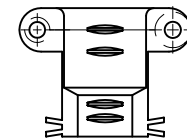
COVER SCREW(4)



INTERNAL GROUNDING SCREW(1)



CABLE CLAMP SCREW(2)



CABLE CLAMP (1 SET).

NOTES:

- HOOD CONSISTS OF: (1) HOOD ASSEMBLY, (1) COVER, (2) PLUGS, (4) COVER SCREWS, (1) INTERNAL SCREW, 1 SET CABLE CLAMPS AND (2) CABLE CLAMP SCREWS.
- ALL DIMENSIONS ARE SHOWN FOR REFERENCE ONLY.
- DIMENSIONS ARE IN INCHES[MILLIMETERS].

 <b>POSITRONIC INDUSTRIES INC.</b> www.connectpositronic.com		SCALE <b>N.T.S.</b>		DRAWN BY <b>YK</b>	
DECIMAL TOL. $\pm 0.015$ [0.38]		<b>D SERIES</b>		APPROVED BY	
		TITLE <b>D37000GEO</b>			
ANGULAR TOL. $\pm 5^\circ$		DATE <b>6-1-06</b>		DRAWING NUMBER <b>SK7471</b>	
				REV. <b>NC</b>	