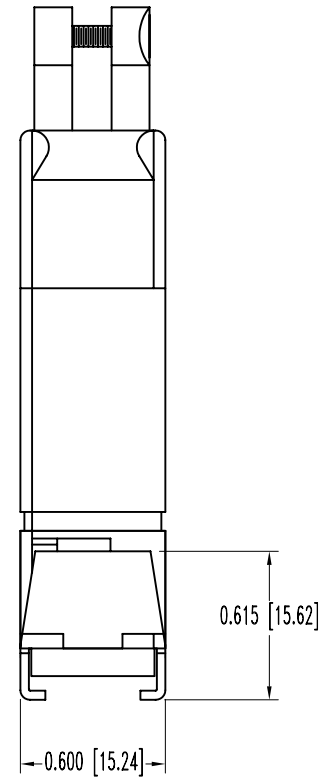
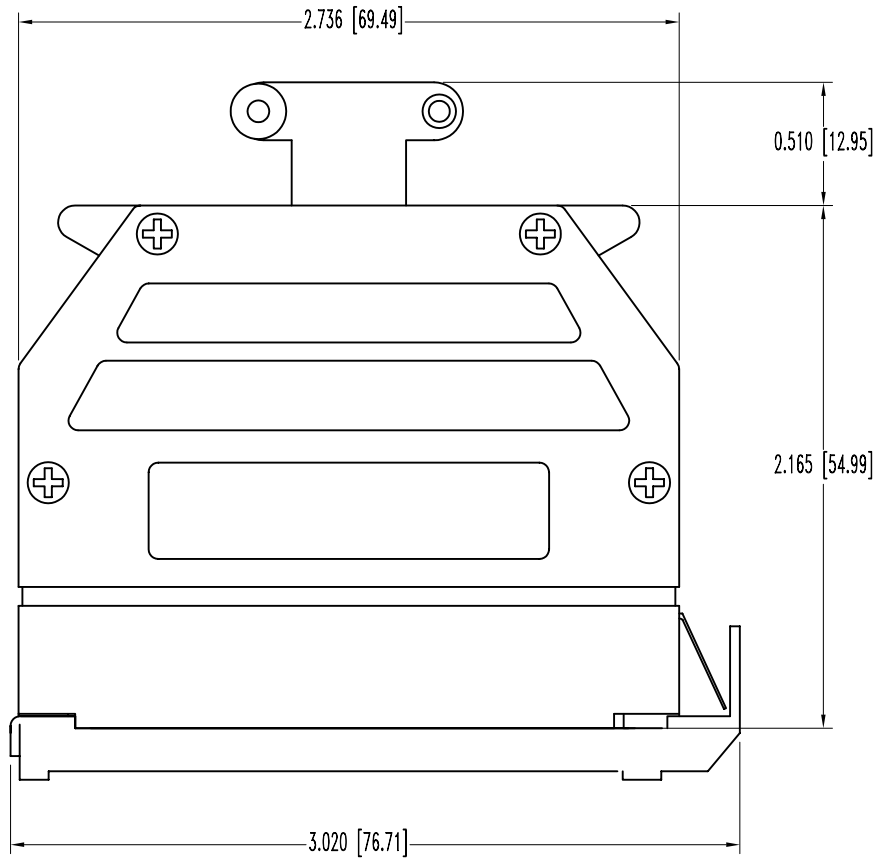


SK8266

POSITRONIC INDUSTRIES BELIEVES THE DATA ON THIS DRAWING TO BE RELIABLE. SINCE THE TECHNICAL INFORMATION IS GIVEN FREE OF CHARGE, THE USER EMPLOYS SUCH INFORMATION AT HIS OWN DISCRETION AND RISK. POSITRONIC INDUSTRIES ASSUMES NO RESPONSIBILITY FOR RESULTS OBTAINED OR DAMAGES INCURRED FROM USE OF SUCH INFORMATION IN WHOLE OR IN PART.

DATE	REV	REVISION RECORD	APP	DR	CK
1-8-07	NC	ECO 27296		YK	



2X MOUNTING SCREW

NOTES:

- MATERIAL & FINISHES:
 HOOD AND CABLE CLAMPS: ZINC, DIE CAST.
 LOCKARM: STEEL, NICKEL PLATE.
 LOCKARM SPRING: BERYLLIUM COPPER, NICKEL PLATE.
 COVER SCREWS: STEEL, NICKEL PLATED.
 MOUNTING SCREWS: STAINLESS STEEL, PASSIVATED.
- MOS 1023.0 ALLOWS FOR SPECIAL TALL "GVL" HOOD WITH HARDWARE TO BE KITTED.
- DIMENSIONS ARE IN INCHES [MILLIMETERS].

	POSITRONIC INDUSTRIES INC. SPRINGFIELD, MISSOURI 65801		SCALE	DRAWN BY
	D SERIES		N.T.S.	YK
DECIMAL TOL. ± 0.015 [0.38]	TITLE D37000GVLO-1023.0		APPROVED BY	
ANGULAR TOL. ± 5°	DATE 1-8-06	DRAWING NUMBER SK8266	REV. NC	