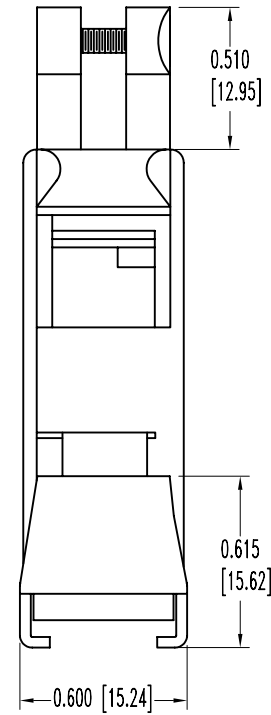
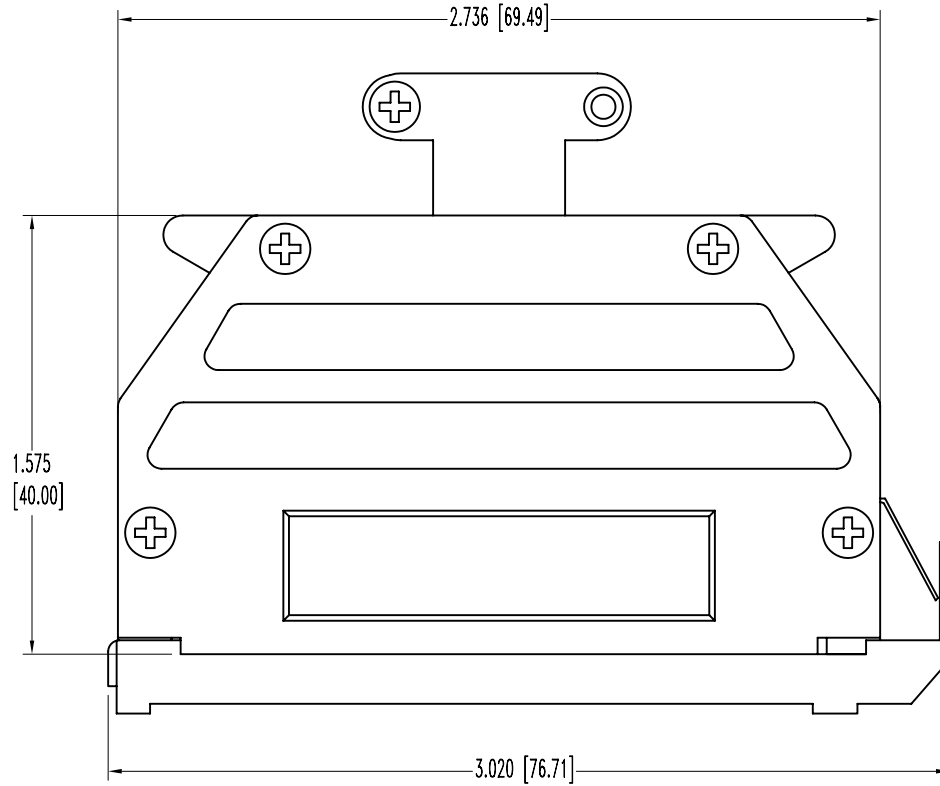


SK1989


POSITRONIC INDUSTRIES BELIEVES THE DATA ON THIS DRAWING TO BE RELIABLE. SINCE THE TECHNICAL INFORMATION IS GIVEN FREE OF CHARGE, THE USER EMPLOYS SUCH INFORMATION AT HIS OWN DISCRETION AND RISK. POSITRONIC INDUSTRIES ASSUMES NO RESPONSIBILITY FOR RESULTS OBTAINED OR DAMAGES INCURRED FROM USE OF SUCH INFORMATION IN WHOLE OR IN PART.

DATE	REV	REVISION RECORD	APP	DR	CK
10-21-05	A	ECO 24899		ME	



NOTES:

- MATERIALS AND FINISHES:  
HOOD: ZINC, DIE CAST.  
LOCKARM: STEEL, NICKEL PLATED.
- DIMENSIONS ARE IN INCHES [MILLIMETERS].

	<b>POSITRONIC INDUSTRIES INC.</b> www.connectpositronic.com	
	D SERIES	SCALE N.T.S.
DECIMAL TOL. ± 0.015 [0.38]	TITLE D37000GVLO	
ANGULAR TOL. ± N/A	DATE 10-21-05	DRAWING NUMBER SK1989
		REV. A