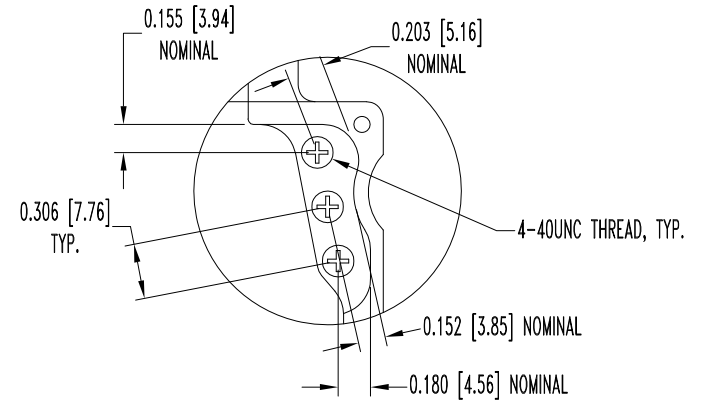
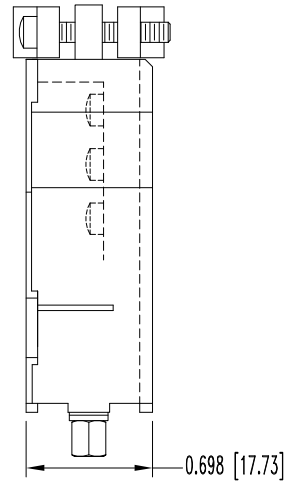
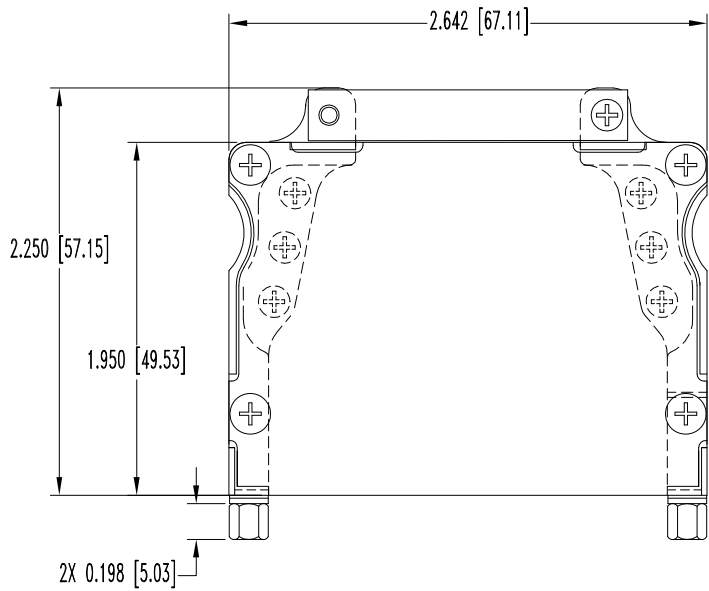
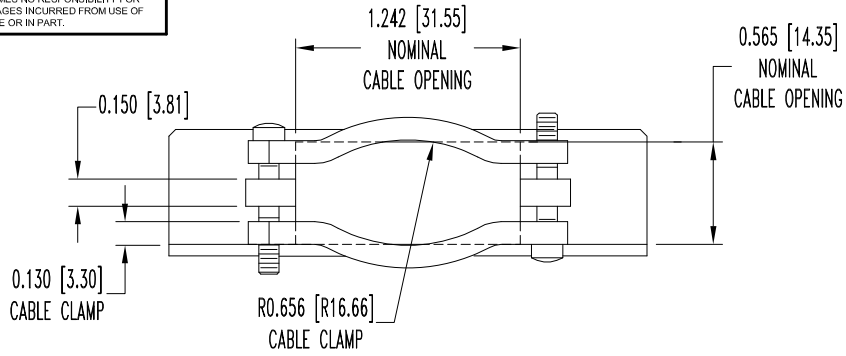


SK10931

THIS DRAWING CONTAINS INFORMATION PROPRIETARY TO POSITRONIC AND ITS SUBSIDIARIES. POSITRONIC BELIEVES THE DATA ON THIS DRAWING TO BE RELIABLE, SINCE THE TECHNICAL INFORMATION IS GIVEN FREE OF CHARGE, THE USER EMPLOYS SUCH INFORMATION AT HIS OWN DISCRETION AND RISK. POSITRONIC ASSUMES NO RESPONSIBILITY FOR RESULTS OBTAINED OR DAMAGES INCURRED FROM USE OF SUCH INFORMATION IN WHOLE OR IN PART.

DATE	REV	REVISION RECORD	APP	DR	CK
7-28-09	NC	ECO 31361	RCW	BS	TK



INTERNAL GROUNDING SCREWS DETAIL

NOTES:

- MATERIALS AND FINISHES:
 HOOD, COVER, AND CABLE CLAMPS: ALUMINUM, ELECTROLESS NICKEL FINISH.
 SCREWS: STEEL, NICKEL FINISH.
 JACKSCREWS: STEEL, ZINC PLATE WITH CHROMATE SEAL.
- DIMENSIONS ARE IN INCHES [MILLIMETERS].

	POSITRONIC INDUSTRIES INC. www.connectpositronic.com		FSCM 28198
	SCALE N.T.S.	DRAWN BY B SHELEDY	APPROVED BY R WILLIAMS
DECIMAL TOL. ± 0.015 [0.38]	D SERIES		
ANGULAR TOL. ± 5°	TITLE D50000ANT20		
DATE 7-28-09	DRAWING NUMBER SK10931	REV. NC	