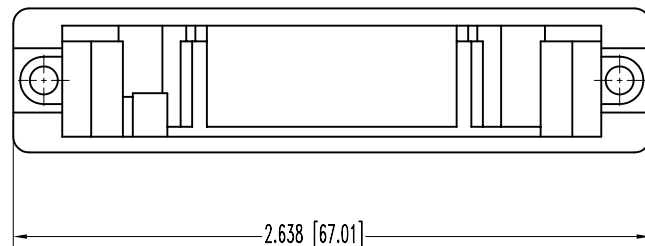
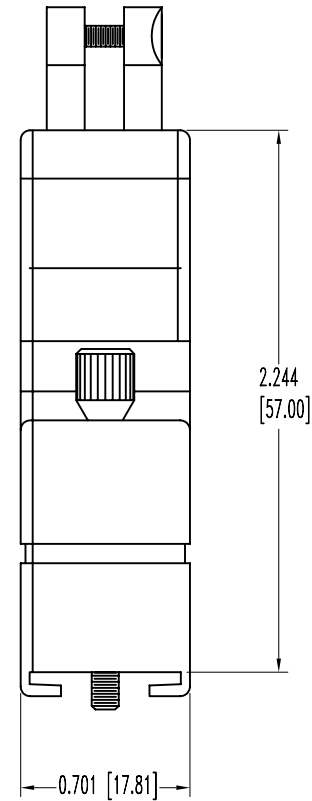
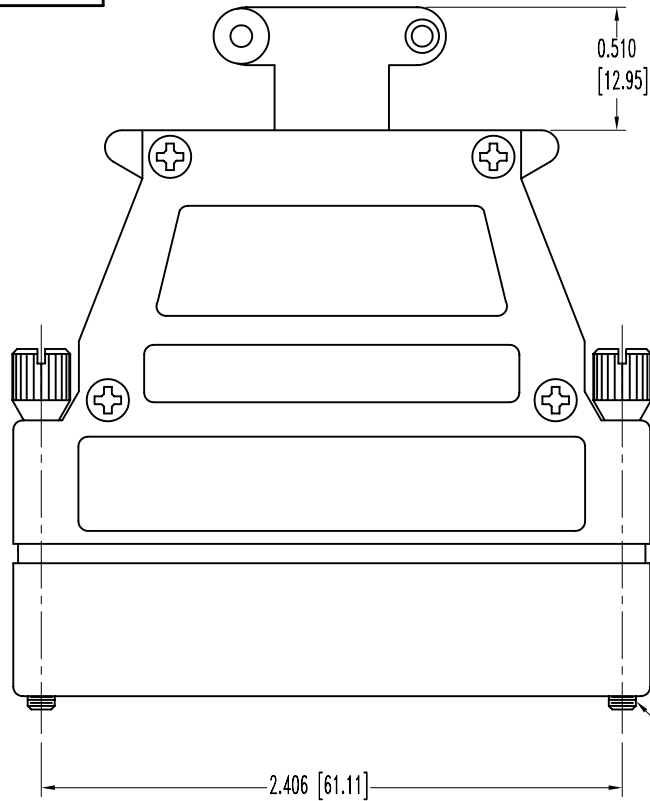


SK5174

POSITRONIC INDUSTRIES BELIEVES THE DATA ON THIS DRAWING TO BE RELIABLE. SINCE THE TECHNICAL INFORMATION IS GIVEN FREE OF CHARGE, THE USER EMPLOYS SUCH INFORMATION AT HIS OWN DISCRETION AND RISK. POSITRONIC INDUSTRIES ASSUMES NO RESPONSIBILITY FOR RESULTS OBTAINED OR DAMAGES INCURRED FROM USE OF SUCH INFORMATION IN WHOLE OR IN PART.

DATE	REV	REVISION RECORD	APP	DR	CK
10-20-03	NC	ECO 21577		ME	



NOTES:

1. MATERIAL: ZINC, DIE CAST.
2. MOS 1023.5 ALLOWS FOR THE PART NUMBER: D50000GE0-1023.5 TO HAVE THE SPECIAL TALL "GE" HOOD WITH HARDWARE TO BE KITTED.
3. DIMENSIONS ARE IN INCHES [MILLIMETERS].

	POSITRONIC INDUSTRIES INC. SPRINGFIELD, MISSOURI 65801		SCALE	DRAWN BY
	D SERIES		N.T.S.	M. ENEA
DECIMAL TOL. ± 0.015 [0.38]	TITLE D50000GE0-1023.5			
ANGULAR TOL. $\pm 5^\circ$	DATE 10-20-03	DRAWING NUMBER SK5174	REV. NC	