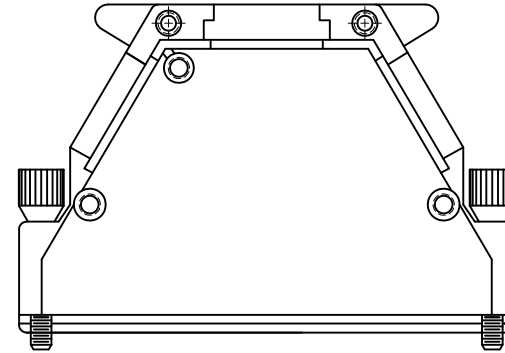
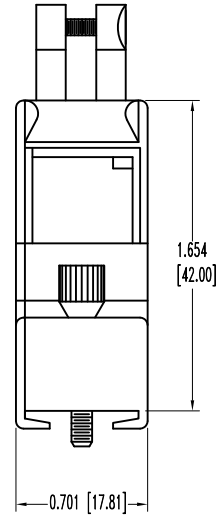
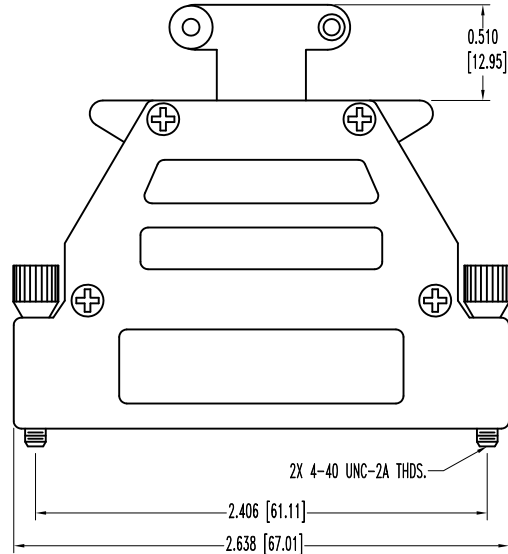


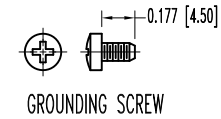
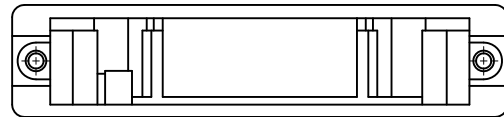
POSITRONIC INDUSTRIES BELIEVES THE DATA ON THIS DRAWING TO BE RELIABLE, SINCE THE TECHNICAL INFORMATION IS GIVEN FREE OF CHARGE, THE USER EMPLOYS SUCH INFORMATION AT HIS OWN DISCRETION AND RISK. POSITRONIC INDUSTRIES ASSUMES NO RESPONSIBILITY FOR RESULTS OBTAINED OR DAMAGES INCURRED FROM USE OF SUCH INFORMATION IN WHOLE OR IN PART.

SK1605

DATE	REV	REVISION RECORD	APP	DR	CK
2-24-06	A	ECO 25560	TK	YK	TK
11-9-16	B	ECO 33267	TK	ME	TK



INTERNAL VIEW



NOTES:

- MATERIAL AND FINISHES:
 HOOD: DIE CAST ZINC.
 CABLE CLAMPS: DIE CAST ZINC.
 JACKSCREWS: STEEL, NICKEL PLATE.
 COVER SCREWS: STEEL, NICKEL PLATE.
 GROUNDING SCREW: STEEL, YELLOW CHROMATE SEAL.
- DETAILED PRODUCT, ELECTRICAL, AND MECHANICAL INFORMATION IS AVAILABLE IN THE LATEST STANDARD DENSITY COMBO-D PRODUCT PUBLICATION. VISIT CONNECTPOSITRONIC.COM/PRODUCTS/1/STANDARDENSITYCOMBO-D/ OR CONNECTPOSITRONIC.COM.
- DIMENSIONS ARE IN INCHES [MILLIMETERS].

		POSITRONIC INDUSTRIES INC. www.connectpositronic.com		
		DECIMAL TOL. ± 0.015 [0.38]	SCALE D SERIES N.T.S.	DRAWN BY YK
TITLE D50000GEO		DATE 2-24-06	DRAWING NUMBER SK1605	REV. B
ANGULAR TOL. $\pm 5^\circ$				