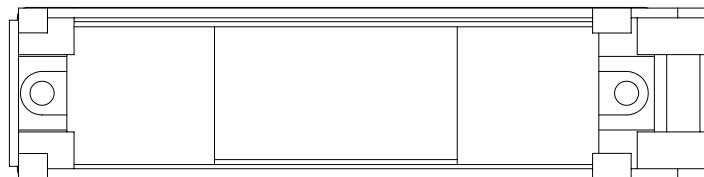
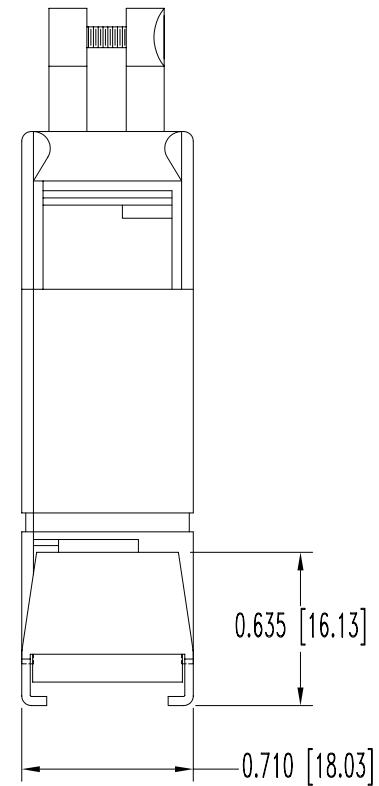
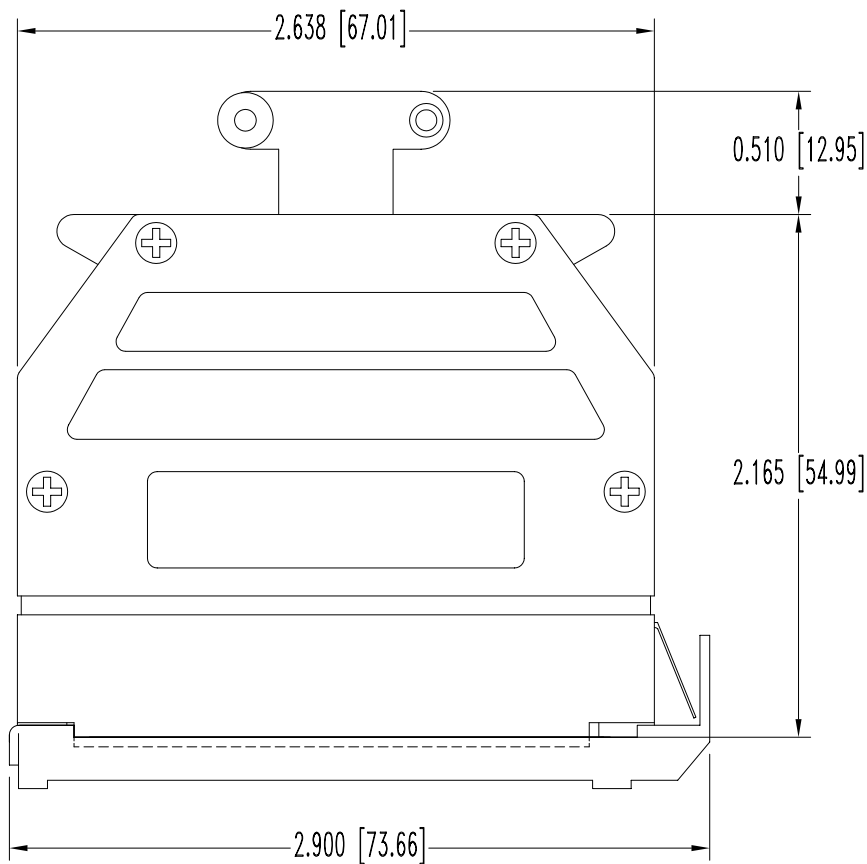


SK3049


POSITRONIC INDUSTRIES BELIEVES THE DATA ON THIS DRAWING TO BE RELIABLE. SINCE THE TECHNICAL INFORMATION IS GIVEN FREE OF CHARGE, THE USER EMPLOYS SUCH INFORMATION AT HIS OWN DISCRETION AND RISK. POSITRONIC INDUSTRIES ASSUMES NO RESPONSIBILITY FOR RESULTS OBTAINED OR DAMAGES INCURRED FROM USE OF SUCH INFORMATION IN WHOLE OR IN PART.

| DATE    | REV | REVISION RECORD | APP | DR  | CK |
|---------|-----|-----------------|-----|-----|----|
| 10-1-98 | NC  | ECO 13626       |     | JLG |    |
|         |     |                 |     |     |    |
|         |     |                 |     |     |    |



NOTES:

- MOS 1023.0 ALLOWS FOR THE PART NUMBER: D50000GVLO-1023.0 TO HAVE THE SPECIAL TALL "GVL" HOOD WITH HARDWARE TO BE KITTED.
- DIMENSIONS ARE IN INCHES [MILLIMETERS].

|  |                   |                |             |
|--|-------------------|----------------|-------------|
|  <b>POSITRONIC INDUSTRIES INC.</b><br>SPRINGFIELD, MISSOURI 65801 |                   | SCALE          | DRAWN BY    |
|  |                   | N.T.S.         | J. GREEN    |
| DECIMAL TOL.   | TITLE             |                | APPROVED BY |
| ± 0.015 [0.38]   | D50000GVLO-1023.0 |                |             |
| WF # 8242  | DATE              | DRAWING NUMBER | REV.        |
| ANGULAR TOL. ± 5°  | 10-1-98           | SK3049         | NC          |