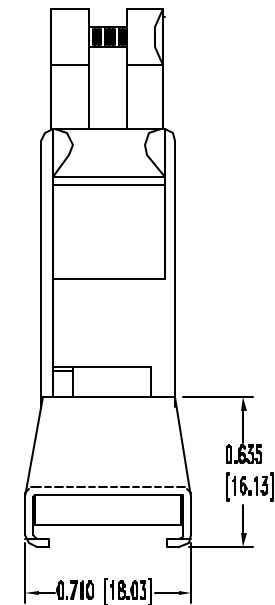
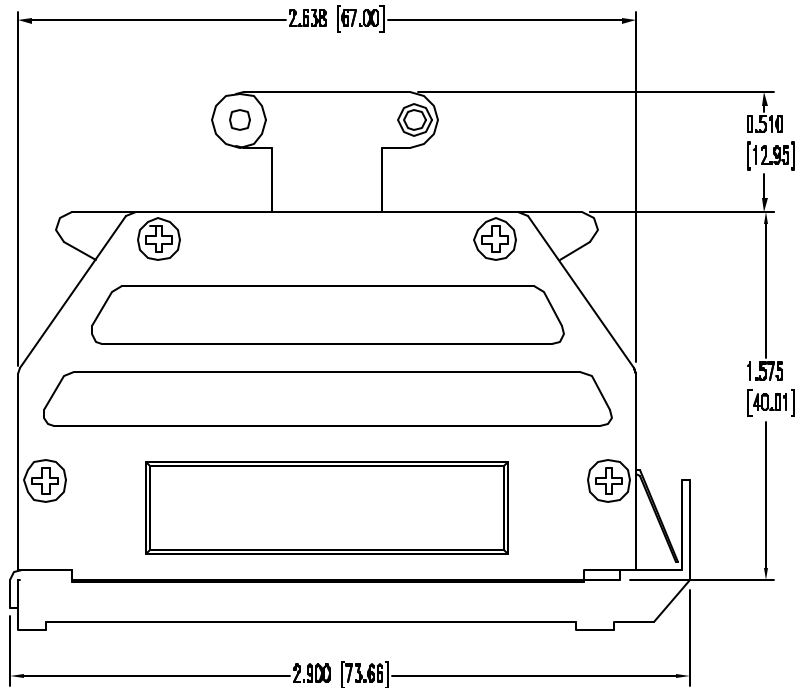


POSITRONIC INDUSTRIES BELIEVES THE DATA ON THIS DRAWING TO BE RELIABLE, SINCE THE TECHNICAL INFORMATION IS GIVEN FREE OF CHARGE, THE USER EMPLOYS SUCH INFORMATION AT HIS OWN DISCRETION AND RISK. POSITRONIC INDUSTRIES ASSUMES NO RESPONSIBILITY FOR RESULTS OBTAINED OR DAMAGES INCURRED FROM USE OF SUCH INFORMATION IN WHOLE OR IN PART.

SK4091

DATE	REV	REVISION RECORD	APP	DR	CK
12-17-01	NC	ECO 18779		ME	

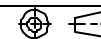


NOTES:

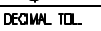
1. MATERIAL: ZINC, DIE CAST.
2. THIS PART CONSISTS OF: 1 HOOD, 1 CABLE CLAMP, 1 LOCKARM, AND 1 SPRING LOCKARM.
3. CABLE CLAMP OPENING: 0.197 [5.00] MINIMUM, 0.551 [14.00] MAXIMUM.
4. DIMENSIONS ARE IN INCHES [MILLIMETERS].



**POSITRONIC INDUSTRIES INC.**  
www.connectpositronic.com



DECIMAL TOL.  
± 0.015 [0.38]



ANGULAR TOL.  
± 5°

D SERIES

SCALE  
N.T.S.

DRAWN BY  
M. ENBA

APPROVED BY

TITLE

D50000GVLO

DATE

12-17-01

DRAWING NUMBER

SK4091

REV.

NC