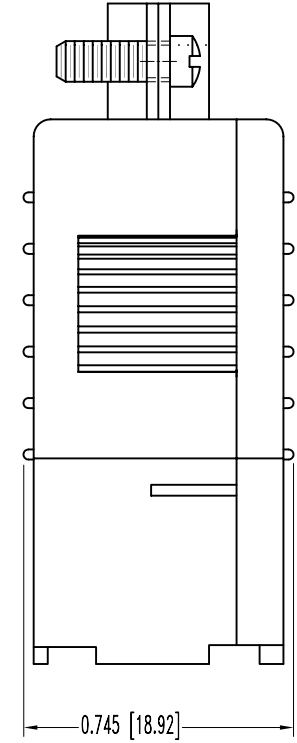
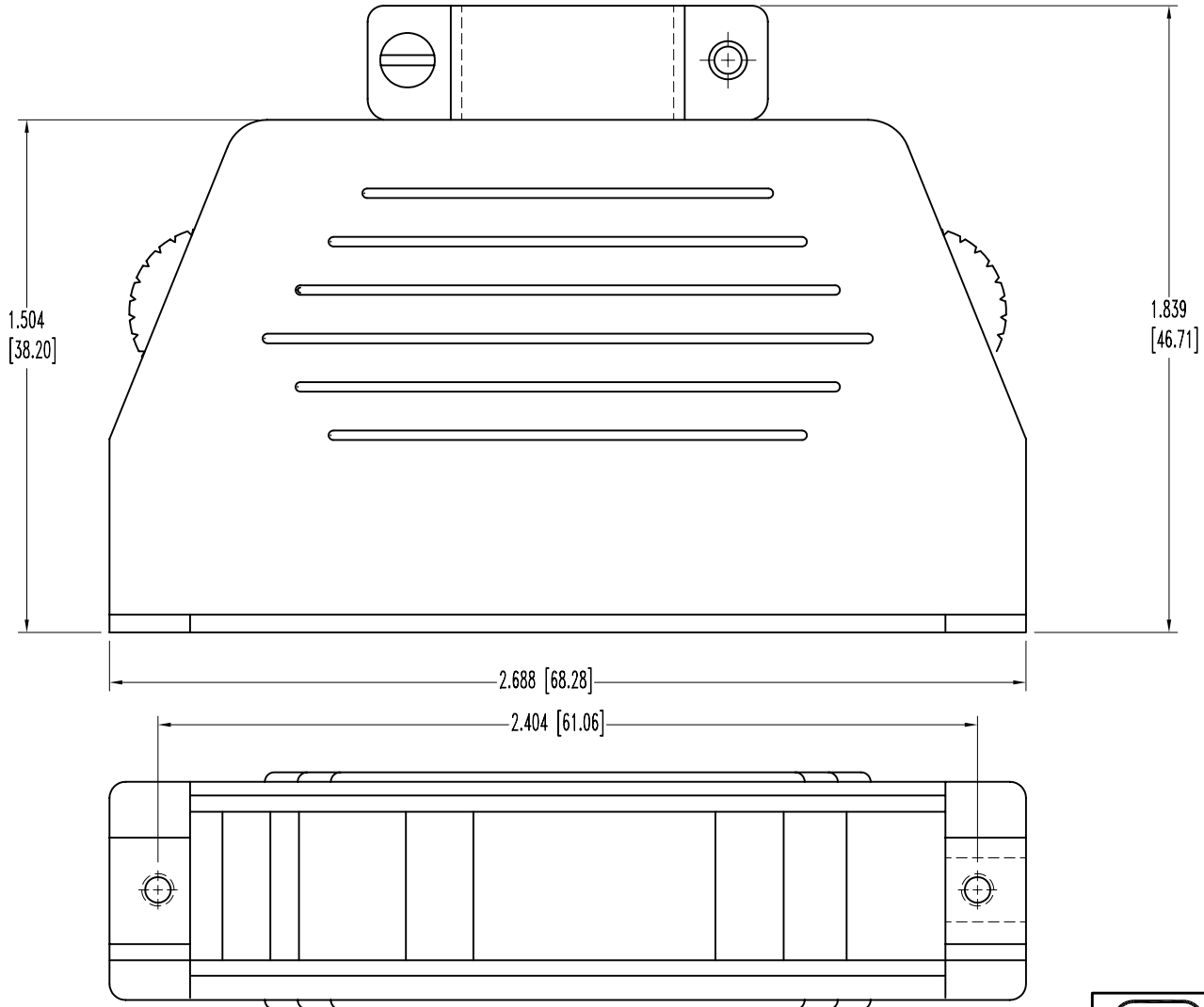


SK7121

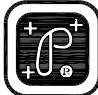
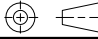
POSITRONIC INDUSTRIES BELIEVES THE DATA ON THIS DRAWING TO BE RELIABLE, SINCE THE TECHNICAL INFORMATION IS GIVEN FREE OF CHARGE, THE USER EMPLOYS SUCH INFORMATION AT HIS OWN DISCRETION AND RISK. POSITRONIC INDUSTRIES ASSUMES NO RESPONSIBILITY FOR RESULTS OBTAINED OR DAMAGES INCURRED FROM USE OF SUCH INFORMATION IN WHOLE OR IN PART.

DATE	REV	REVISION	RECC		
3-3-06	NC	ECO 25592			ME



NOTES:

1. MATERIAL: HOOD: GLASS FILLED NYLON, BLACK.
CABLE CLAMP: STEEL, NICKEL PLATE.
2. DIMENSIONS ARE IN INCHES [MILLIMETERS].

			
	D SERIES	N.T.S.	M. ENEA ED BY
0.015 [0.38]	D50000J00		
5°	3-3-06	SK7121	NC