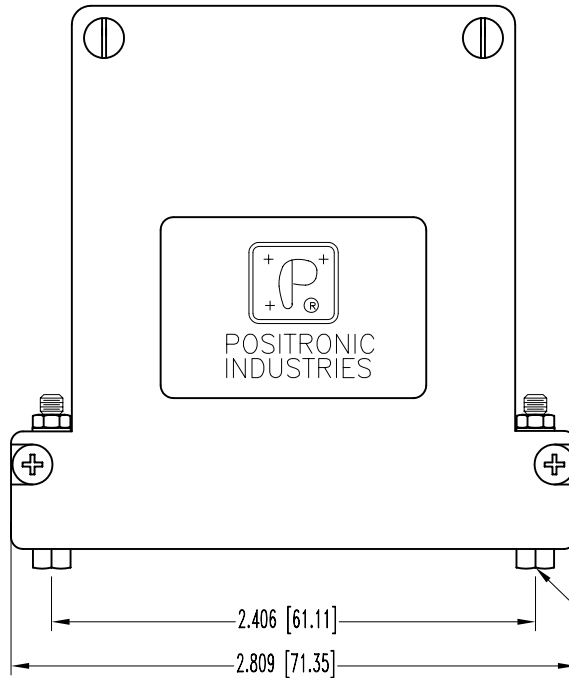
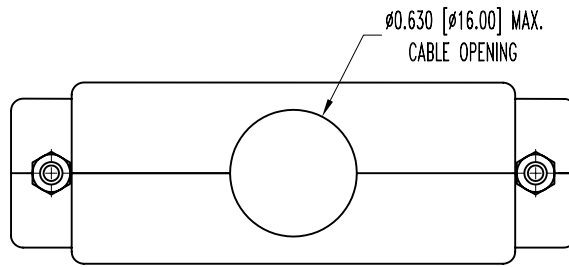


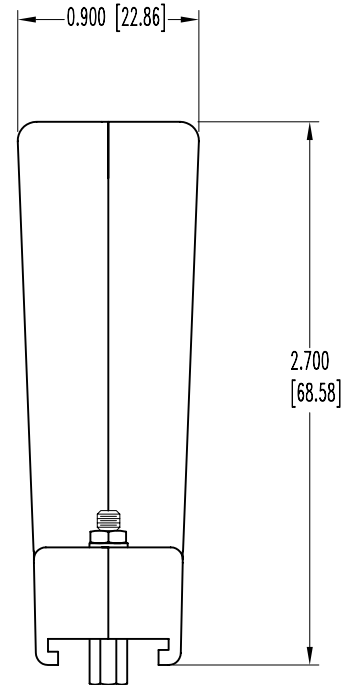
SK8020

POSITRONIC INDUSTRIES BELIEVES THE DATA ON THIS DRAWING TO BE RELIABLE. SINCE THE TECHNICAL INFORMATION IS GIVEN FREE OF CHARGE, THE USER EMPLOYS SUCH INFORMATION AT HIS OWN DISCRETION AND RISK. POSITRONIC INDUSTRIES ASSUMES NO RESPONSIBILITY FOR RESULTS OBTAINED OR DAMAGES INCURRED FROM USE OF SUCH INFORMATION IN WHOLE OR IN PART.

DATE	REV	REVISION RECORD	APP	DR	CK
9-29-06	NC	ECO 26777		YK	




FIXED FEMALE JACKSCREWS WITH 4-40 UNC THREADS



NOTES:

- MATERIAL: HOOD AND INSERT - COMPOSITE, CONDUCTIVE VOLUME RESISTIVITY (1.0 OHM-CM MAX.), UL94V-0.
 ATTENUATION: 40+ DECIBELS.
 JACKSCREWS: STEEL, ZINC PLATE WITH CHROMATE SEAL.
 CABLE CLAMP: STEEL, NICKEL PLATE.
 CABLE CLAMP SCREWS: BRASS, ZINC PLATE WITH CHROMATE SEAL.
 COVER SCREWS: STEEL, ZINC PLATE WITH CHROMATE SEAL.
 HEX NUTS: BRASS, ZINC PLATE WITH CHROMATE SEAL.
 LOCKWASHERS: BRONZE, ZINC PLATE WITH CHROMATE SEAL.
 SCREWS: STEEL, ZINC PLATE WITH CHROMATE SEAL.
- DIMENSIONS ARE IN INCHES [MILLIMETERS].

		POSITRONIC INDUSTRIES INC. www.connectpositronic.com	
		D SERIES	SCALE N.T.S.
DECIMAL TOL. ± 0.015 [0.38]	TITLE D50000Z400		
ANGULAR TOL. ± 5°	DATE 9-29-06	DRAWING NUMBER SK8020	REV. NC