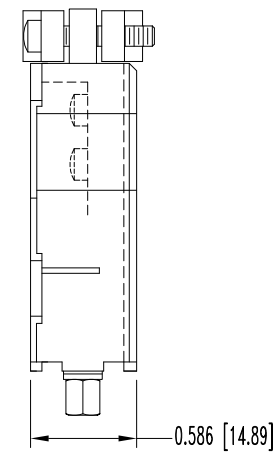
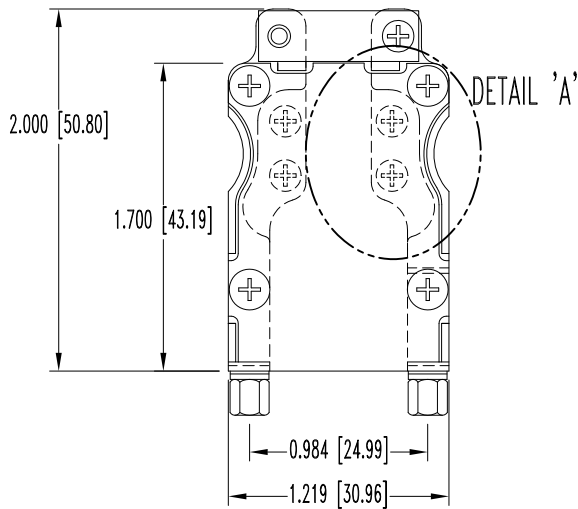
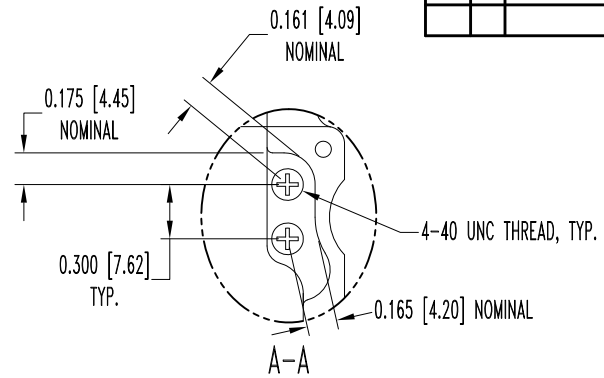
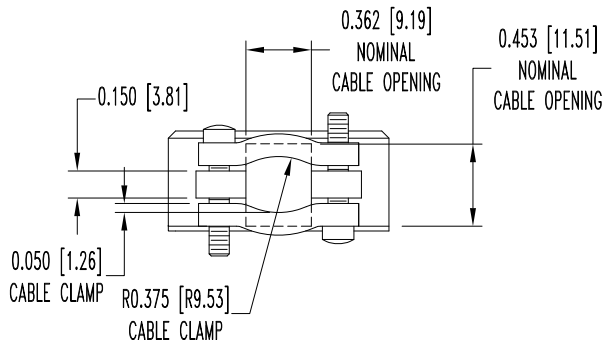


THIS DRAWING CONTAINS INFORMATION PROPRIETARY TO POSITRONIC AND ITS SUBSIDIARIES. POSITRONIC BELIEVES THE DATA ON THIS DRAWING TO BE RELIABLE, SINCE THE TECHNICAL INFORMATION IS GIVEN FREE OF CHARGE, THE USER EMPLOYS SUCH INFORMATION AT HIS OWN DISCRETION AND RISK. POSITRONIC ASSUMES NO RESPONSIBILITY FOR RESULTS OBTAINED OR DAMAGES INCURRED FROM USE OF SUCH INFORMATION IN WHOLE OR IN PART.

DATE	REV	REVISION RECORD	APP	DR	CK
9-17-10	NC	ECO 33015	TK	BS	TK



NOTES:

- MATERIALS AND FINISHES:  
 HOOD, COVER, AND CABLE CLAMPS: ALUMINUM, ELECTROLESS NICKEL FINISH.  
 SCREWS: STEEL WITH NICKEL PLATE.  
 JACKSCREWS: STEEL, ZINC PLATE WITH CHROMATE SEAL.
- DETAILED PRODUCT, MECHANICAL, AND ELECTRICAL INFORMATION IS AVAILABLE IN THE LATEST D-SUB ACCESSORY PRODUCT PUBLICATION. VISIT [CONNECTPOSITRONIC.COM/PRODUCTS/58/D-SUBMINIATUREACCESSORIES](http://CONNECTPOSITRONIC.COM/PRODUCTS/58/D-SUBMINIATUREACCESSORIES) OR [CONNECTPOSITRONIC.COM](http://CONNECTPOSITRONIC.COM).
- DIMENSION ARE IN INCHES [MILLIMETERS].

	<b>POSITRONIC INDUSTRIES INC.</b> www.connectpositronic.com		FSCM 28198
	DECIMAL TOL. $\pm 0.015$ [0.38]	D SERIES	SCALE N.T.S.
ANGULAR TOL. $\pm 5^\circ$	DATE 9-17-10	DRAWING NUMBER SK11808	REV. NC
TITLE D9000ANT20		APPROVED BY T. KEPLEY	