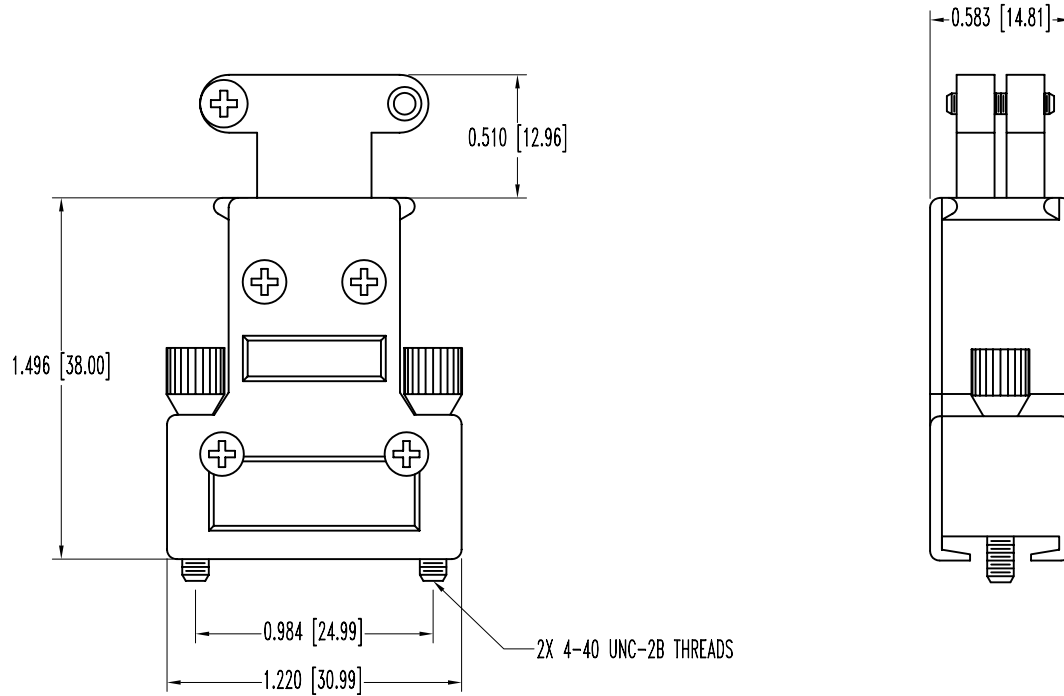


SK7171

POSITRONIC INDUSTRIES BELIEVES THE DATA ON THIS DRAWING TO BE RELIABLE. SINCE THE TECHNICAL INFORMATION IS GIVEN FREE OF CHARGE, THE USER EMPLOYS SUCH INFORMATION AT HIS OWN DISCRETION AND RISK. POSITRONIC INDUSTRIES ASSUMES NO RESPONSIBILITY FOR RESULTS OBTAINED OR DAMAGES INCURRED FROM USE OF SUCH INFORMATION IN WHOLE OR IN PART.

DATE	REV	REVISION RECORD	APP	DR	CK
3-17-06	NC	ECO 25661		YK	



NOTES:

- MATERIALS AND FINISHES:
 HOOD: DIE CAST ZINC.
 CABLE CLAMPS: DIE CAST ZINC.
 JACKSCREWS: STEEL, NICKEL PLATE.
 SCREWS: STEEL, NICKEL PLATE.
- HOODS ARE ROHS COMPLIANT PER ROHS DIRECTIVE 2002/95/EC OF 27 JAN 2003.
- DIMENSIONS ARE IN INCHES [MILLIMETERS].

	POSITRONIC INDUSTRIES INC. www.connectpositronic.com		SCALE	DRAWN BY
	D SERIES		N.T.S.	YK
DECIMAL TOL. ± 0.015 [0.38]	TITLE D9000GEO/AA			
ANGULAR TOL. ± 5°	DATE 3-17-06	DRAWING NUMBER SK7171	REV. NC	APPROVED BY