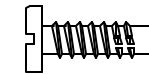
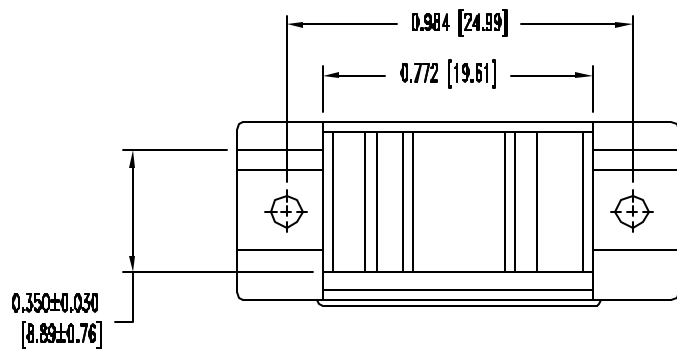
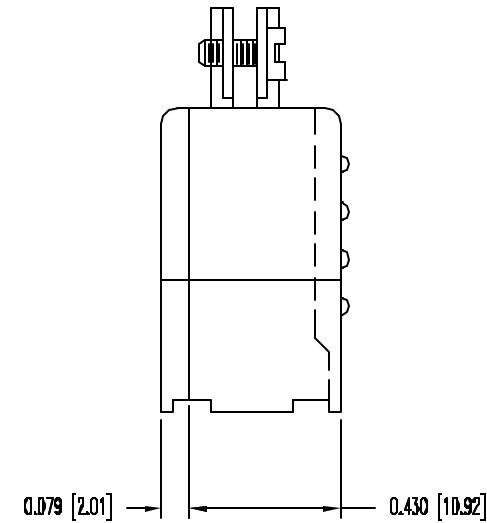
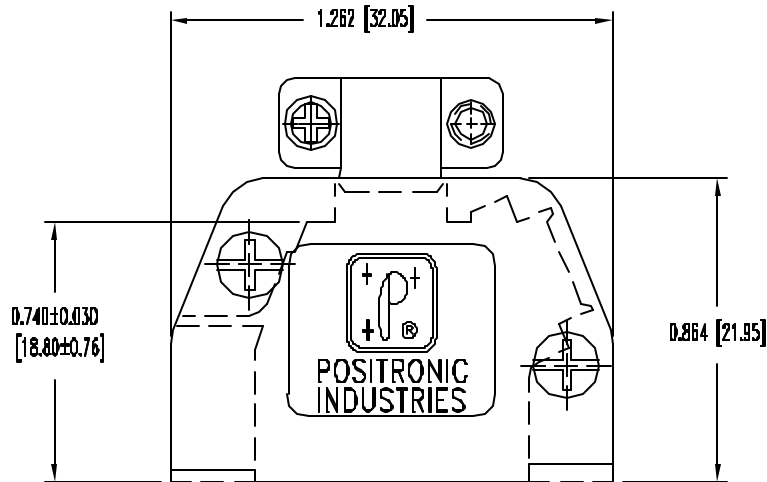


POSITRONIC INDUSTRIES BELIEVES THE DATA ON THIS DRAWING TO BE RELIABLE, SINCE THE TECHNICAL INFORMATION IS GIVEN FREE OF CHARGE, THE USER EMPLOYEES SUCH INFORMATION AT HIS OWN DISCRETION AND RISK. POSITRONIC INDUSTRIES ASSUMES NO RESPONSIBILITY FOR RESULTS OBTAINED OR DAMAGES INCURRED FROM USE OF SUCH INFORMATION IN WHOLE OR IN PART.

SK4120


DATE	REV	REVISION RECORD	APP	DR	CK
1-17-01	NC	ECO 18850		YK	



CONNECTOR MOUNTING SCREW
2X

NOTES:

- MATERIAL:
HOOD: GLASS FILLED NYLON, 94V-0, BLACK.
CABLE CLAMPS: STEEL, NICKEL PLATE.
- DIMENSIONS ARE IN INCHES [MILLIMETERS].

 POSITRONIC INDUSTRIES INC. www.connectpositronic.com		SCALE	DRAWN BY
		N.T.S.	Y.KELLEYBREW
DECIMAL TOL.	TITLE		APPROVED BY
± 0.015 [0.38]	D HOOD		
WF # 4288	D9000J00		
ANGULAR TOL.	DATE	DRAWING NUMBER	REV.
± 5°	1-17-01	SK4120	NC