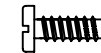
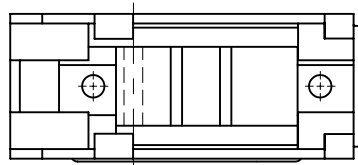
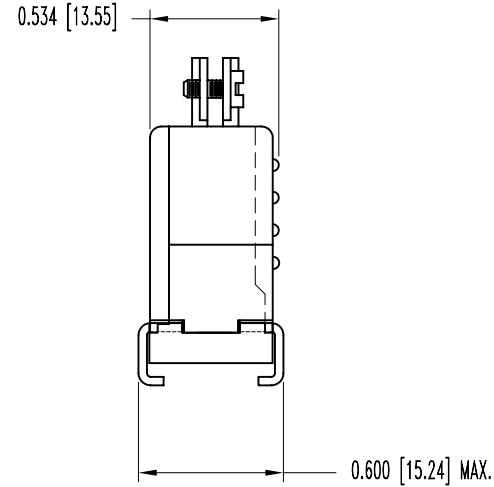
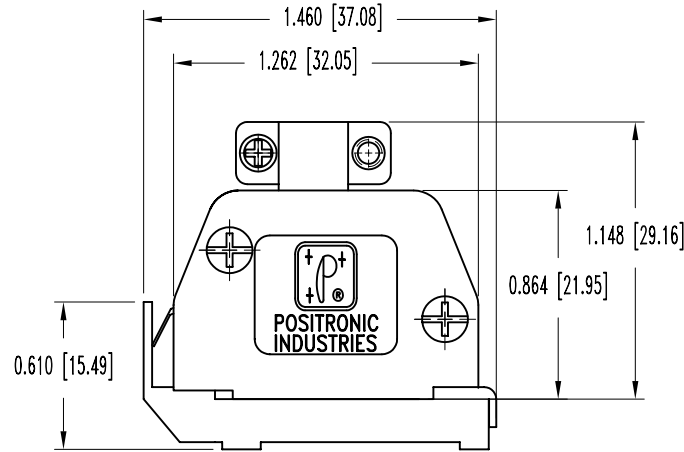


SK3744

POSITRONIC INDUSTRIES BELIEVES THE DATA ON THIS DRAWING TO BE RELIABLE. SINCE THE TECHNICAL INFORMATION IS GIVEN FREE OF CHARGE, THE USER EMPLOYS SUCH INFORMATION AT HIS OWN DISCRETION AND RISK. POSITRONIC INDUSTRIES ASSUMES NO RESPONSIBILITY FOR RESULTS OBTAINED OR DAMAGES INCURRED FROM USE OF SUCH INFORMATION IN WHOLE OR IN PART.


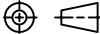
DATE	REV	REVISION RECORD	APP	DR	CK
5-8-01	NC	ECO 17717		ME	



CONNECTOR MOUNTING SCREW
2X

NOTES:

- MATERIAL:
HOOD: GLASS FILLED NYLON, 94V-0, BLACK.
LOCK LEVER: STEEL, NICKEL PLATED.
CABLE CLAMPS: STEEL, NICKEL PLATE.
- DIMENSIONS ARE IN INCHES [MILLIMETERS].

 POSITRONIC INDUSTRIES INC. www.connectpositronic.com		SCALE		DRAWN BY	
 DECIMAL TOL. ± 0.015 [0.38]		N.T.S.		M. ENEA	
WF # 3646		TITLE D HOOD			
DATE 5-8-01		DRAWING NUMBER D9000JVLO		REV. NC	
ANGULAR TOL. ± 5°		APPROVED BY			