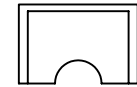
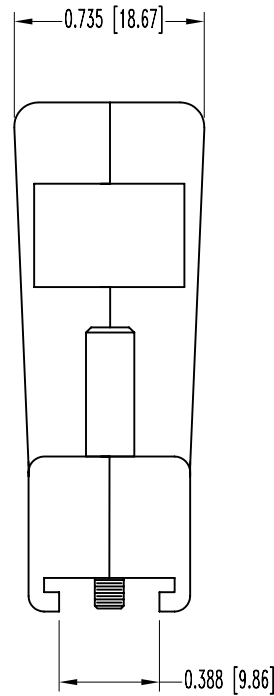
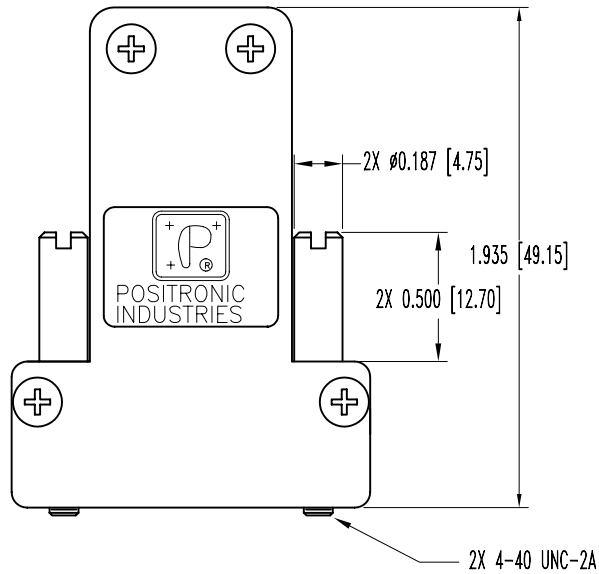
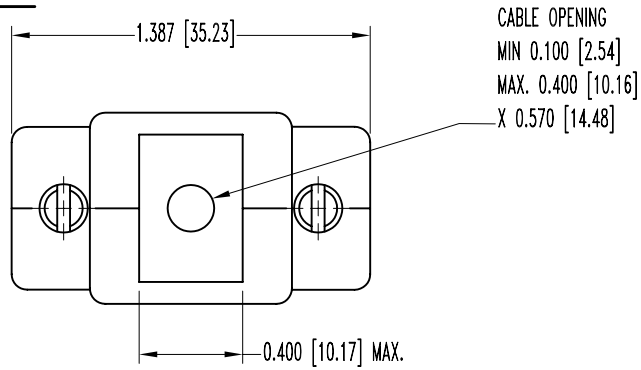
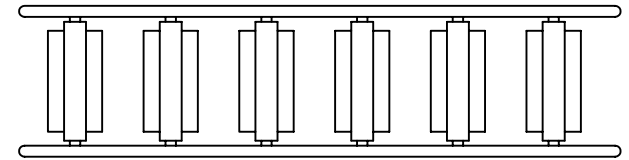


POSITRONIC INDUSTRIES BELIEVES THE DATA ON THIS DRAWING TO BE RELIABLE. SINCE THE TECHNICAL INFORMATION IS GIVEN FREE OF CHARGE, THE USER EMPLOYS SUCH INFORMATION AT HIS OWN DISCRETION AND RISK. POSITRONIC INDUSTRIES ASSUMES NO INCURRED FROM USE OF SUCH INFORMATION IN WHOLE OR IN PART.

2-16	NC	ECO 27498	YK
08			



TYPICAL INSERT



INSERT TREE ASSEMBLY

NOTES:

- MATERIAL & FINISHES:
HOOD AND INSERT: COMPOSITE, CONDUCTIVE VOLUME RESISTIVITY (1.0 OHM-CM MAX.), UL94V-0.
ATTENUATION: 40+ DECIBELS.
JACKSCREWS: STEEL, ZINC PLATE WITH CHROMATE SEAL.
SCREWS: STAINLESS STEEL, PASSIVATED.
- DIMENSIONS ARE IN INCHES [MILLIMETERS].

		ctpositronic.com	
DECIMAL TOL. ±0.015 [0.38]	D SERIES	SCALE N.T.S.	DRAWN BY YK
ANGULAR TOL. ±5°	DATE 2-16-07	TITLE D9000Z00	APPROVED BY
	DRAWING NUMBER SK8337	REV. NC	