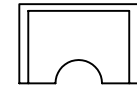
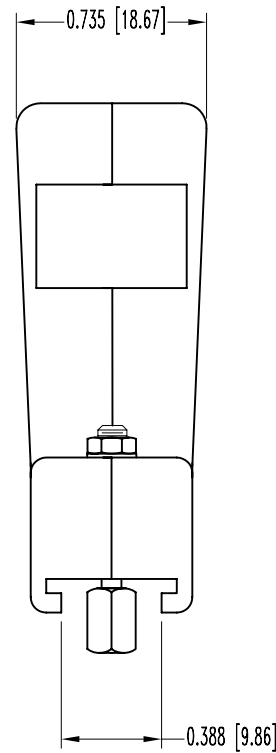
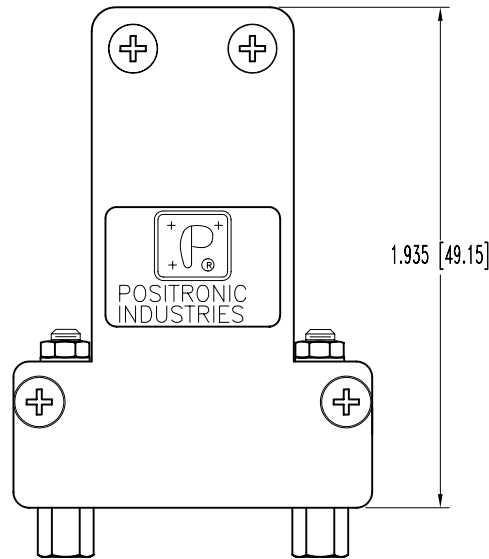
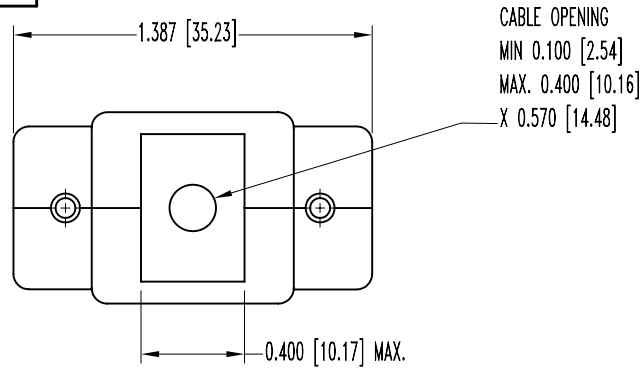


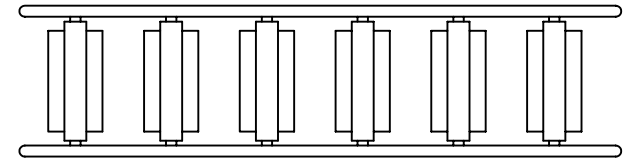
SK7806

POSITRONIC INDUSTRIES BELIEVES THE DATA ON THIS DRAWING TO BE RELIABLE. SINCE THE TECHNICAL INFORMATION IS GIVEN FREE OF CHARGE, THE USER EMPLOYS SUCH INFORMATION AT HIS OWN DISCRETION AND RISK. POSITRONIC INDUSTRIES ASSUMES NO RESPONSIBILITY FOR RESULTS OBTAINED OR DAMAGES INCURRED FROM USE OF SUCH INFORMATION IN WHOLE OR IN PART.

DATE	REV	REVISION RECORD	APP	DR	CK
7-31-06	NC	ECO 26423		YK	



TYPICAL INSERT



INSERT TREE ASSEMBLY

NOTES:

- MATERIAL & FINISHES:
 HOOD AND INSERT: COMPOSITE, CONDUCTIVE VOLUME RESISTIVITY (1.0 OHM-CM MAX.), UL94V-0.
 ATTENUATION: 40+ DECIBELS.
 JACKSCREWS: STEEL, ZINC PLATE WITH DICHRIMATE SEAL.
 LOCKWASHERS: BRONZE, ZINC PLATE WITH DICHRIMATE SEAL.
 HEXNUTS: BRASS, ZINC PLATE WITH DICHRIMATE SEAL.
 HOOD: COMPOSITE, CONDUCTIVE VOLUME RESISTIVITY
- DIMENSIONS ARE IN INCHES [MILLIMETERS].

		POSITRONIC INDUSTRIES INC. www.connectpositronic.com	
		DECIMAL TOL. ±0.015 [0.38]	TITLE D SERIES
ANGULAR TOL. ±5°		DATE 7-31-06	
		DRAWING NUMBER SK7806	
		REV. NC	
		TITLE D9000Z400	
		APPROVED BY	