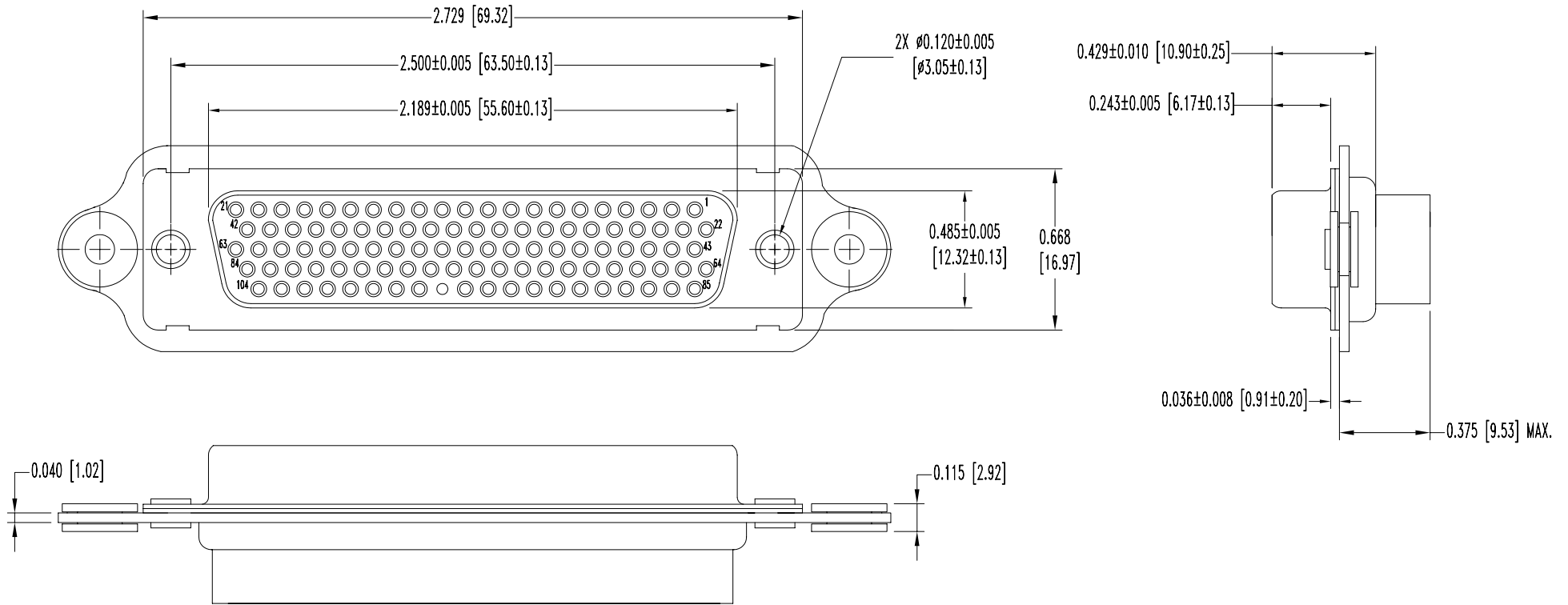


SK2280

THIS DRAWING CONTAINS INFORMATION PROPRIETARY TO POSITRONIC AND ITS SUBSIDIARIES. POSITRONIC BELIEVES THE DATA ON THIS DRAWING TO BE RELIABLE. SINCE THE TECHNICAL INFORMATION IS GIVEN FREE OF CHARGE, THE USER EMPLOYS SUCH INFORMATION AT HIS OWN DISCRETION AND RISK. POSITRONIC ASSUMES NO RESPONSIBILITY FOR RESULTS OBTAINED OR DAMAGES INCURRED FROM USE OF SUCH INFORMATION IN WHOLE OR IN PART.

DATE	REV	REVISION RECORD	APP	DR	CK
1-9-08	A	ECO 28820	TK	YK	TK



NOTES:

- MATERIALS AND FINISHES:
 - INSULATOR: GLASS FILLED POLYESTER PER MIL-W-24519, UL 94V-0, BLUE COLOR.
 - CONTACTS: PRECISION MACHINED HIGH TENSILE COPPER ALLOY WITH STAINLESS STEEL SHROUD, GOLD FLASH OVER NICKEL FINISH.
 - SHELLS: STEEL, ZINC PLATE WITH CHROMATE SEAL.
 - MOUNTING PLATE: ALUMINUM, YELLOW ANODIZED.
 - FLOAT BUSHINGS: BRASS, ZINC PLATE CHROMATE SEAL.
 - FLOAT WASHERS: BRASS, ZINC PLATE CHROMATE SEAL.
- ELECTRICAL CHARACTERISTICS:
 - CONTACT CURRENT RATING: 5 AMPS NOMINAL.
 - INITIAL CONTACT RESISTANCE: 0.005 OHMS MAXIMUM.
 - INSULATOR RESISTANCE: 5 G OHMS.
 - WORKING VOLTAGE: 300 V r.m.s.
- WORKING TEMPERATURE: -55°C TO +125°C.
- THIS MOS ALLOWS FOR BLIND MATE PLATE TO BE INSTALLED.
- DIMENSIONS ARE IN INCHES [MILLIMETERS].

	POSITRONIC INDUSTRIES INC. www.connectpositronic.com		FSCM 28198
	DD SERIES	SCALE N.T.S.	DRAWN BY YK
DECIMAL TOL. ± 0.015 [0.38]	TITLE DD104F00000-759.1		
ANGULAR TOL. ± 5°	DATE 1-9-08	DRAWING NUMBER SK2280	REV. A