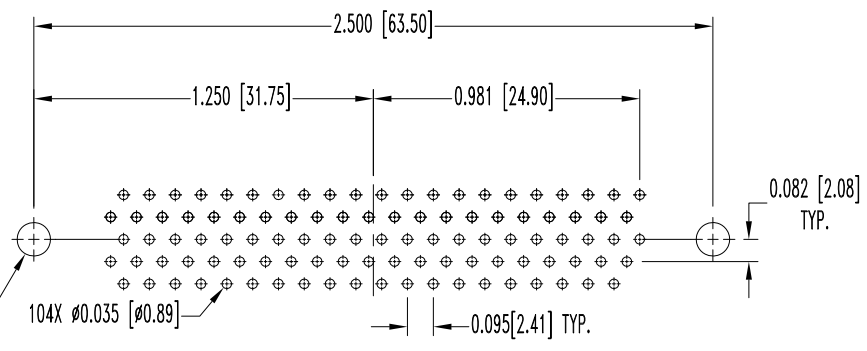
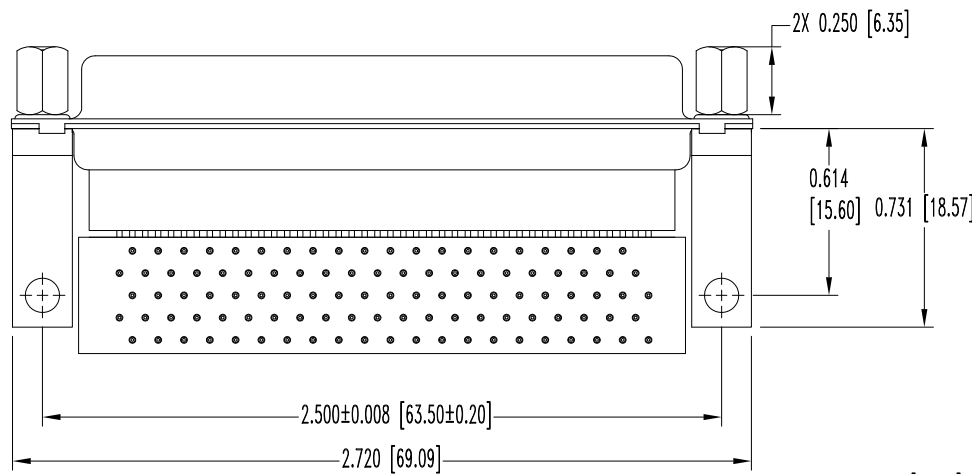
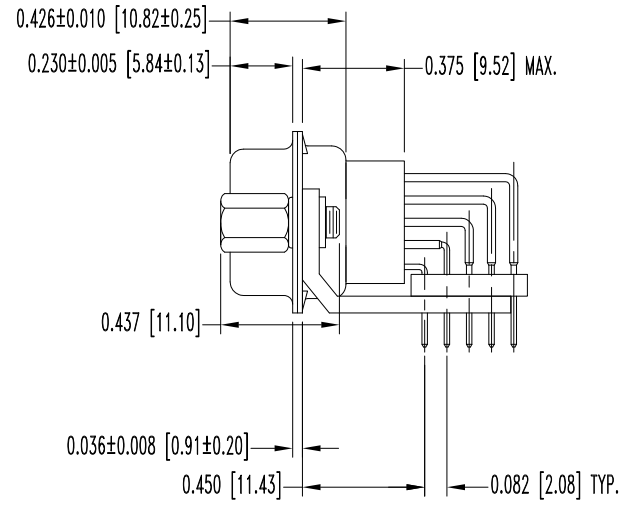
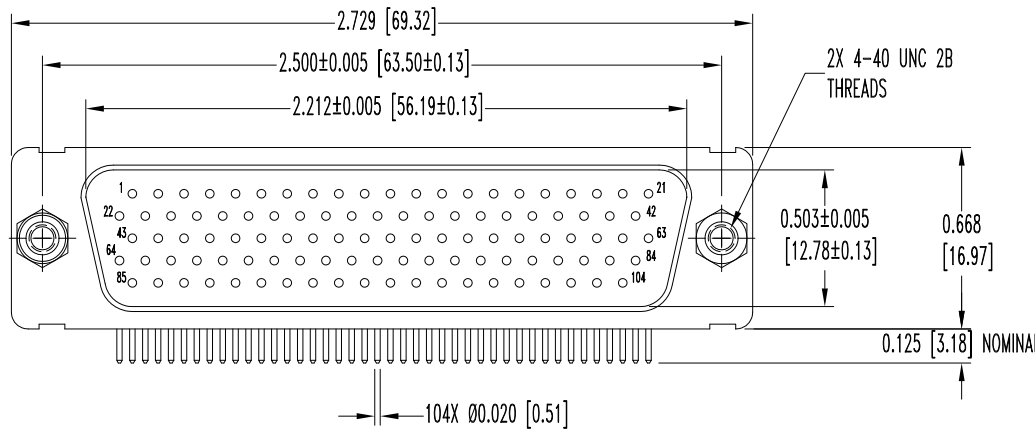


THIS DRAWING CONTAINS INFORMATION PROPRIETARY TO POSITRONIC AND ITS SUBSIDIARIES. POSITRONIC BELIEVES THE DATA ON THIS DRAWING TO BE RELIABLE. SINCE THE TECHNICAL INFORMATION IS GIVEN FREE OF CHARGE, THE USER EMPLOYS SUCH INFORMATION AT HIS OWN DISCRETION AND RISK. POSITRONIC ASSUMES NO RESPONSIBILITY FOR RESULTS OBTAINED OR DAMAGES INCURRED FROM USE OF SUCH INFORMATION IN WHOLE OR IN PART.

DATE	REV	REVISION RECORD	APP	DR	CK
11-13-08	NC	ECO 30248	RCW	BS	TK



CONTACT HOLE PATTERN

NOTES:

- MATERIALS AND FINISHES:  
 INSULATOR: GLASS FILLED POLYESTER PER MIL-M-24519, UL 94V-0, BLUE COLOR.  
 CONTACTS: PRECISION MACHINED HIGH TENSILE COPPER ALLOY, GOLD FLASH OVER NICKEL PLATE.  
 ALIGNMENT BAR: GLASS FILLED NYLON, COLOR BLACK.  
 SHELLS: STEEL, ZINC PLATE WITH CHROMATE SEAL.  
 MOUNTING BRACKETS: BRASS, ZINC PLATE WITH CHROMATE SEAL.  
 JACKSCREWS: BRASS, ZINC PLATE WITH CHROMATE SEAL.  
 THREADED RIVETS: BRASS, ZINC PLATE.
- ELECTRICAL CHARACTERISTICS:  
 CONTACT CURRENT RATING: 5 AMPERES NOMINAL.  
 INITIAL CONTACT RESISTANCE: 0.005 OHMS MAXIMUM.  
 INSULATOR RESISTANCE: 5 G OHMS.  
 WORKING VOLTAGE: 300 V r.m.s.
- TEMPERATURE RANGE: -55°C TO +125°C.
- CONNECTORS ARE ROHS COMPLIANT PER ROHS DIRECTIVE, 2002/95/EC OF 27 JAN 2003.
- DIMENSIONS ARE IN INCHES [MILLIMETERS].

	<b>POSITRONIC INDUSTRIES INC.</b> www.connectpositronic.com		FSCM 28198
	DD SERIES	SCALE N.T.S.	DRAWN BY B SHELLEDY
DECIMAL TOL. ± 0.015 [0.38]	TITLE DD104M4R70T0/AA		
ANGULAR TOL. ± 5°	DATE 11-13-08	DRAWING NUMBER SK9939	REV. NC