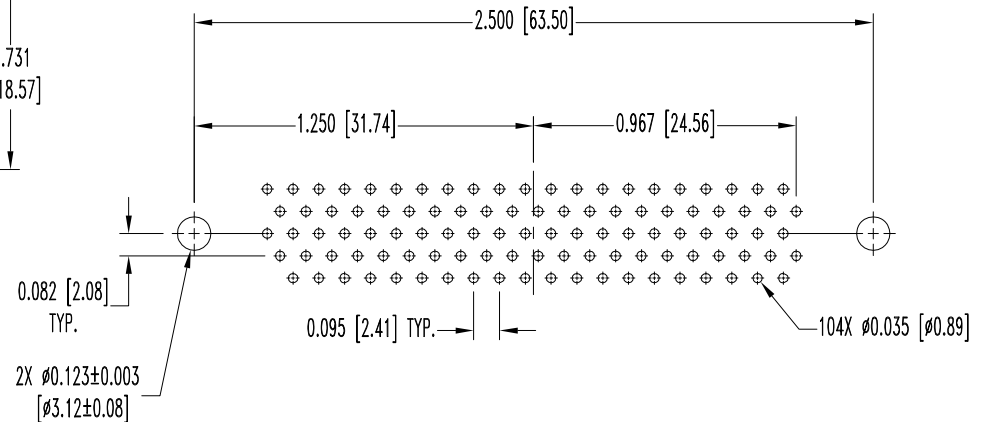
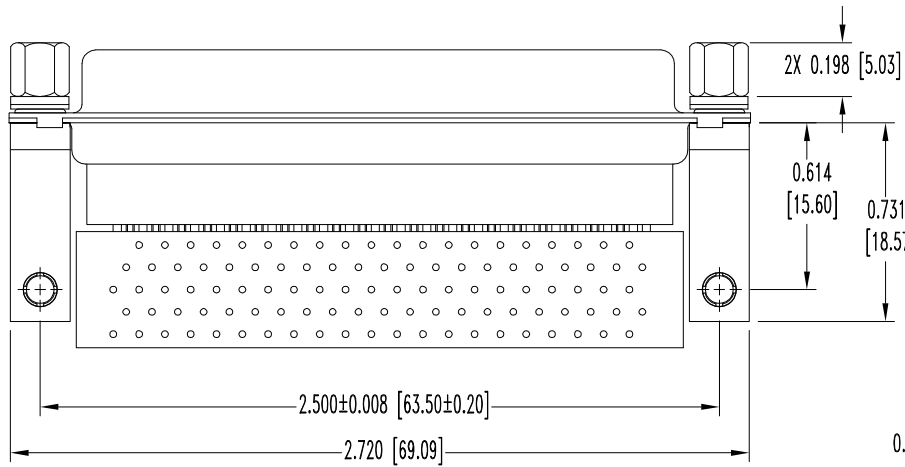
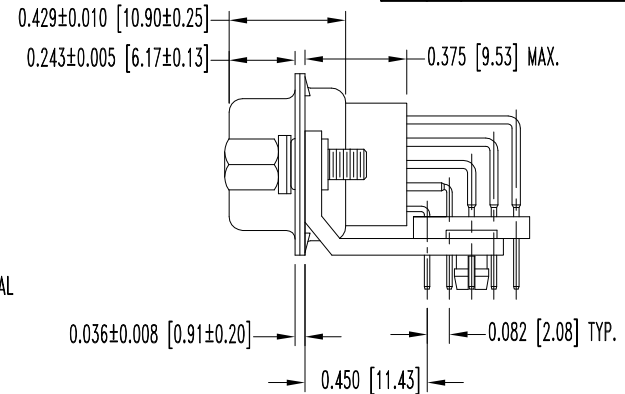
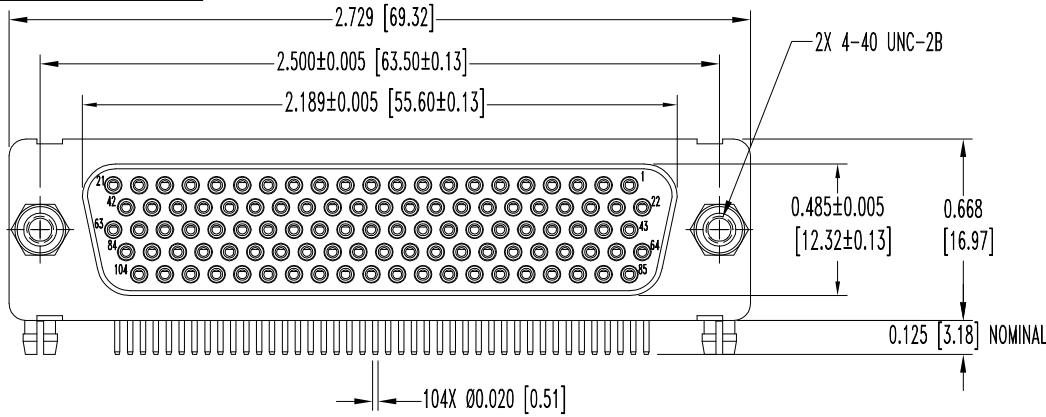


THIS DRAWING CONTAINS INFORMATION PROPRIETARY TO POSITRONIC AND ITS SUBSIDIARIES. POSITRONIC BELIEVES THE DATA ON THIS DRAWING TO BE RELIABLE. SINCE THE TECHNICAL INFORMATION IS GIVEN FREE OF CHARGE, THE USER EMPLOYS SUCH INFORMATION AT HIS OWN DISCRETION AND RISK. POSITRONIC ASSUMES NO RESPONSIBILITY FOR RESULTS OBTAINED OR DAMAGES INCURRED FROM USE OF SUCH INFORMATION IN WHOLE OR IN PART.

DATE	REV	REVISION RECORD	APP	DR	CK
1-19-09	NC	ECO 30494	RCW	YK	TK
3-29-10	A	ECO 32304	COLE	BE	SY



NOTES:

- MATERIALS AND FINISHES:
 INSULATOR: GLASS FILLED POLYESTER PER ASTM D5927, UL 94V-0, BLUE COLOR.
 CONTACTS: BRASS, GOLD FLASH OVER NICKEL FINISH.
 SHELLS: STEEL, TIN PLATE.
 ALIGNMENT BAR: GLASS FILLED NYLON, COLOR BLACK.
 RIVETS: BRASS, ZINC PLATE WITH CHROMATE SEAL.
 JACKSCREWS: STEEL, ZINC PLATE WITH CHROMATE SEAL.
 MOUNTING BRACKET: BRASS, TIN PLATE.
 PUSH-ON FASTENERS: BERYLLIUM COPPER, TIN PLATE.
 WASHERS: STAINLESS STEEL, PASSIVATED.
- DETAILED PRODUCT, ELECTRICAL, AND MECHANICAL INFORMATION IS AVAILABLE IN THE LATEST HIGH DENSITY D-SUBMINIATURE PRODUCT PUBLICATION. VISIT CONNECTPOSITRONIC.COM/PRODUCTS/59/HIGHDENSITYD-SUBMINIATURE OR CONNECTPOSITRONIC.COM.
- DIMENSIONS ARE IN INCHES [MILLIMETERS].

CONTACT HOLE PATTERN

	POSITRONIC INDUSTRIES INC. www.connectpositronic.com		FSCM 28198
	DD SERIES	SCALE N.T.S.	DRAWN BY YK
DECIMAL TOL. ± 0.015 [0.38]	TITLE DD104S4R7NT2X		
ANGULAR TOL. ± 5°	DATE 1-19-09	DRAWING NUMBER SK10223	REV. A