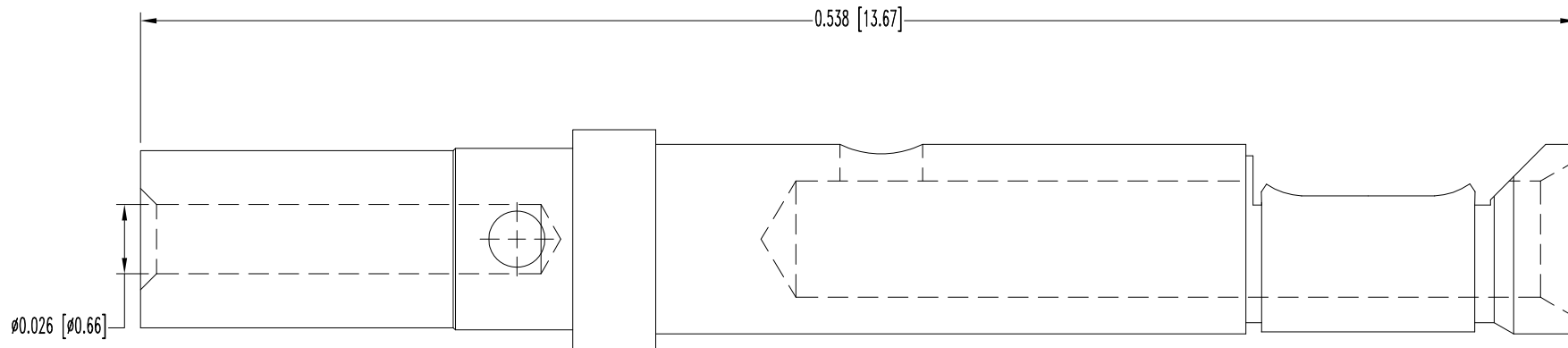


SK10836

THIS DRAWING CONTAINS INFORMATION PROPRIETARY TO POSITRONIC IND. INC. ANY REPRODUCTION, DISCLOSURE OR USE OF THIS DRAWING IS EXPRESSLY PROHIBITED, EXCEPT AS POSITRONIC IND. INC. MAY OTHERWISE AGREE IN WRITING.

DATE	REV	REVISION RECORD	APP	DR	CK
6-12-09	NC	ECO 31165	COLE	BS	COLE



NOTES:

1. MATERIALS:

CONTACT: PRECISION MACHINED COPPER ALLOY.

SPRING CLIP: BERYLLIUM COPPER, GOLD FLASH OVER NICKEL PLATE.

2. DIMENSIONS ARE IN INCHES [MILLIMETERS].

	<b>POSITRONIC INDUSTRIES INC.</b> SPRINGFIELD, MISSOURI 65801	
	SCALE N.T.S.	DRAWN BY B SHELLEDY
DECIMAL TOL. $\pm 0.015$ [0.38]	TITLE RD	APPROVED BY COLE
ANGULAR TOL. $\pm 5^\circ$	DATE 6-12-09	DRAWING NUMBER SK10836
FC6026D2		REV. NC