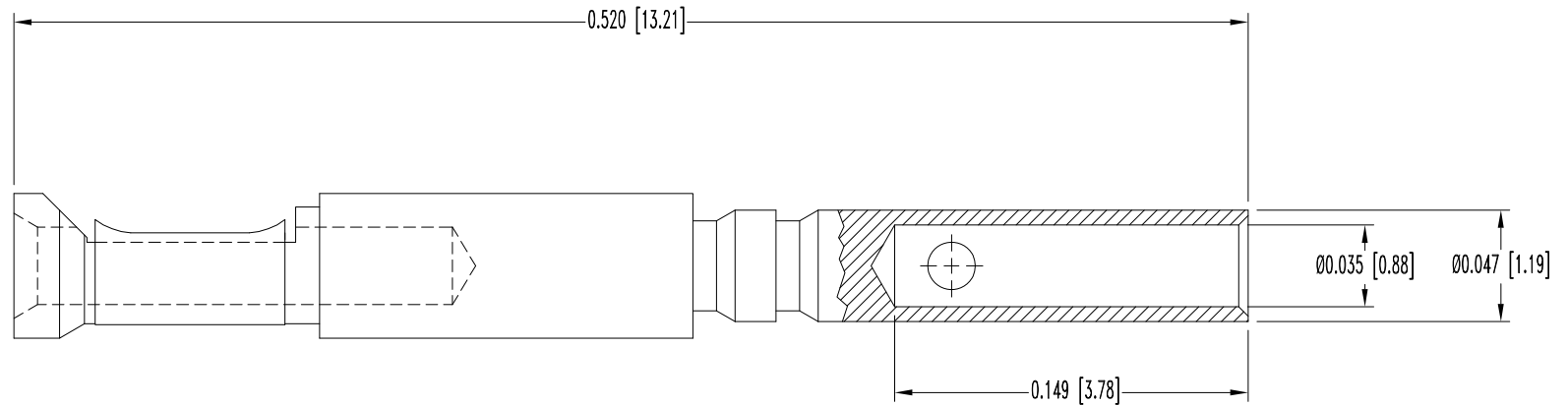


SK11220

THIS DRAWING CONTAINS INFORMATION PROPRIETARY TO POSITRONIC AND ITS SUBSIDIARIES. POSITRONIC BELIEVES THE DATA ON THIS DRAWING TO BE RELIABLE. SINCE THE TECHNICAL INFORMATION IS GIVEN FREE OF CHARGE, THE USER EMPLOYS SUCH INFORMATION AT HIS OWN DISCRETION AND RISK. POSITRONIC ASSUMES NO RESPONSIBILITY FOR RESULTS OBTAINED OR DAMAGES INCURRED FROM USE OF SUCH INFORMATION IN WHOLE OR IN PART.

| DATE | REV | REVISION RECORD | APP | DR | CK |
|----------|-----|-----------------|------|----|------|
| 12-09-09 | NC | ECO 31831 | TK | BS | TK |
| 2-17-10 | A | ECO 32121 | COLE | BS | COLE |
| | | | | | |
| | | | | | |



NOTES:

- MATERIALS AND FINISHES:
 CONTACT: BRASS, GOLD FLASH OVER NICKEL PLATE.
 RETAINER: BERYLLIUM COPPER, GOLD FLASH OVER NICKEL PLATE.
- DETAILED PRODUCT, MECHANICAL, AND ELECTRICAL INFORMATION IS AVAILABLE IN THE LATEST HIGH DENSITY D-SUB PRODUCT PUBLICATION. VISIT CONNECTPOSITRONIC.COM/PRODUCTS/59/HIGHDENSITYD-SUBMINIATURE OR CONNECTPOSITRONIC.COM.
- CONTACTS ARE ROHS COMPLIANT PER ROHS DIRECTIVE 2002/95/EC OF 27 JAN 2003.
- DIMENSIONS ARE INCHES [MILLIMETERS].

| | | | |
|---|--|---------------------------|-------------------------|
|  | POSITRONIC INDUSTRIES INC. www.connectpositronic.com | | FSCM 28198 |
| | DD SERIES | SCALE N.T.S. | DRAWN BY B SHELLEDY |
| DECIMAL TOL. ± 0.015 [0.38] | TITLE FC8022D2/AA | | APPROVED BY T KEPLEY |
| ANGULAR TOL. $\pm 5^\circ$ | DATE 12-09-09 | DRAWING NUMBER SK11220 | REV. A |