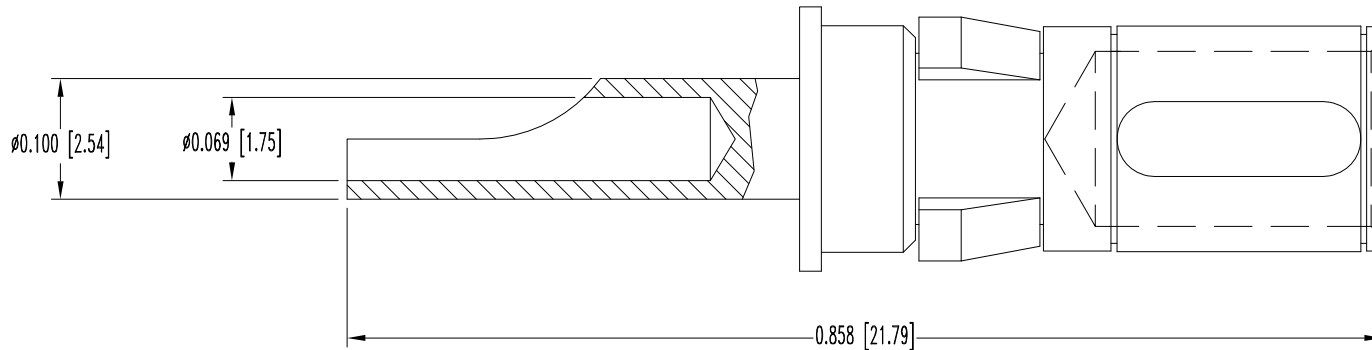


SK6946

THIS DRAWING CONTAINS INFORMATION PROPRIETARY TO POSITRONIC AND ITS SUBSIDIARIES. POSITRONIC BELIEVES THE DATA ON THIS DRAWING TO BE RELIABLE. SINCE THE TECHNICAL INFORMATION IS GIVEN FREE OF CHARGE, THE USER EMPLOYS SUCH INFORMATION AT HIS OWN DISCRETION AND RISK. POSITRONIC ASSUMES NO RESPONSIBILITY FOR RESULTS OBTAINED OR DAMAGES INCURRED FROM USE OF SUCH INFORMATION IN WHOLE OR IN PART.

DATE	REV	REVISION RECORD	APP	DR	CK
1-12-06	NC	ECO 25339	RW	YK	TK
3-26-10	A	ECO 32294	COLE	BE	SY



NOTES:

1. MATERIAL AND FINISH:

CONTACT: HIGH CONDUCTIVITY COPPER ALLOY, GOLD FLASH OVER NICKEL.
 SPRING CLIP: BERYLLIUM COPPER, GOLD OVER NICKEL PLATE.
 RETENTION RING: BERYLLIUM COPPER, NICKEL PLATE.

2. DETAILED PRODUCT, ELECTRICAL, AND MECHANICAL INFORMATION IS AVAILABLE IN THE LATEST STANDARD DENSITY COMBO-D PRODUCT PUBLICATION.

VISIT CONNECTPOSITRONIC.COM/PRODUCTS/1/STANDARD DENSITY COMBO-D OR CONNECTPOSITRONIC.COM.

3. CONTACTS ARE ROHS COMPLIANT PER ROHS DIRECTIVE 2002/95/EC OF 27 JAN 2003.

4. DIMENSIONS ARE IN INCHES [MILLIMETERS].

	POSITRONIC INDUSTRIES INC. www.connectpositronic.com		FSCM 28198
	CBD SERIES	SCALE N.T.S.	DRAWN BY YK
DECIMAL TOL. ± 0.015 [0.38]	TITLE FS4016D/AA		
ANGULAR TOL. $\pm 5^\circ$	DATE 1-12-06	DRAWING NUMBER SK6946	REV. A