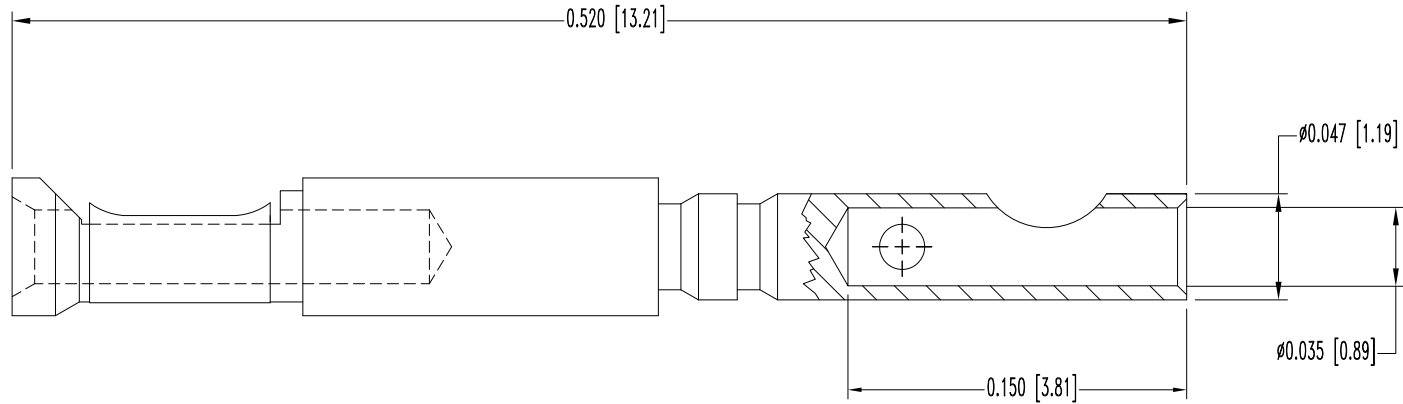


SK10212

THIS DRAWING CONTAINS INFORMATION PROPRIETARY TO POSITRONIC AND ITS SUBSIDIARIES. POSITRONIC BELIEVES THE DATA ON THIS DRAWING TO BE RELIABLE. SINCE THE TECHNICAL INFORMATION IS GIVEN FREE OF CHARGE, THE USER EMPLOYS SUCH INFORMATION AT HIS OWN DISCRETION AND RISK. POSITRONIC ASSUMES NO RESPONSIBILITY FOR RESULTS OBTAINED OR DAMAGES INCURRED FROM USE OF SUCH INFORMATION IN WHOLE OR IN PART.

DATE	REV	REVISION RECORD	APP	DR	CK
1-16-09	NC	ECO 30492	RCW	YK	TK



NOTES:

- MATERIALS AND FINISHES:
 CONTACT: BRASS, GOLD FLASH OVER NICKEL FINISH.
 RETAINER: BERYLLIUM COPPER, GOLD FLASH OVER NICKEL FINISH.
- ELECTRICAL CHARACTERISTICS:
 WORKING VOLTAGE: 300 V r.m.s.
- TEMPERATURE RANGE: -55°C TO +125°C.
- DIMENSIONS ARE IN INCHES [MILLIMETERS].

 POSITRONIC INDUSTRIES INC. www.connectpositronic.com		FSCM 28198	
 DECIMAL TOL. ± 0.015 [0.38]	DD SERIES	SCALE N.T.S.	DRAWN BY YK APPROVED BY R WILLIAMS
TITLE FS8022D2		DATE 1-16-09	DRAWING NUMBER SK10212
ANGULAR TOL. ± 5°			REV. NC