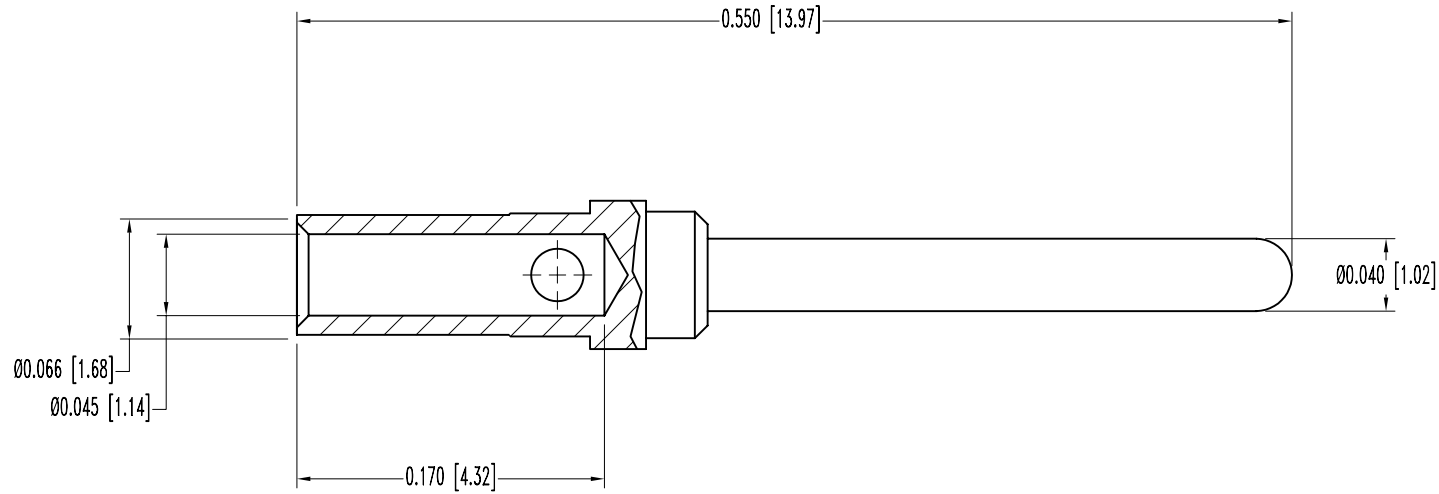


SK6763

POSITRONIC INDUSTRIES BELIEVES THE DATA ON THIS DRAWING TO BE RELIABLE. SINCE THE TECHNICAL INFORMATION IS GIVEN FREE OF CHARGE, THE USER EMPLOYS SUCH INFORMATION AT HIS OWN DISCRETION AND RISK. POSITRONIC INDUSTRIES ASSUMES NO RESPONSIBILITY FOR RESULTS OBTAINED OR DAMAGES INCURRED FROM USE OF SUCH INFORMATION IN WHOLE OR IN PART.

DATE	REV	REVISION RECORD	APP	DR	CK
11-29-05	NC	ECO 25113		YK	



NOTES:

1. MATERIAL AND FINISHES:  
CONTACT: BRASS, GOLD FLASH OVER NICKEL PLATE.
2. CONTACTS ARE ROHS COMPLIANT PER ROHS DIRECTIVE 2002/95/EC OF JAN 2003.
3. DIMENSIONS ARE IN INCHES [MILLIMETERS].

 <b>POSITRONIC INDUSTRIES INC.</b> <a href="http://www.connectpositronic.com">www.connectpositronic.com</a>		SCALE		DRAWN BY	
 DECIMAL TOL. ± 0.015 [0.38]		CBC SERIES N.T.S.		YK APPROVED BY	
 ANGULAR TOL. ± 5°		DATE 11-29-05		DRAWING NUMBER SK6763	
		TITLE MC6020D/AA		REV. NC	