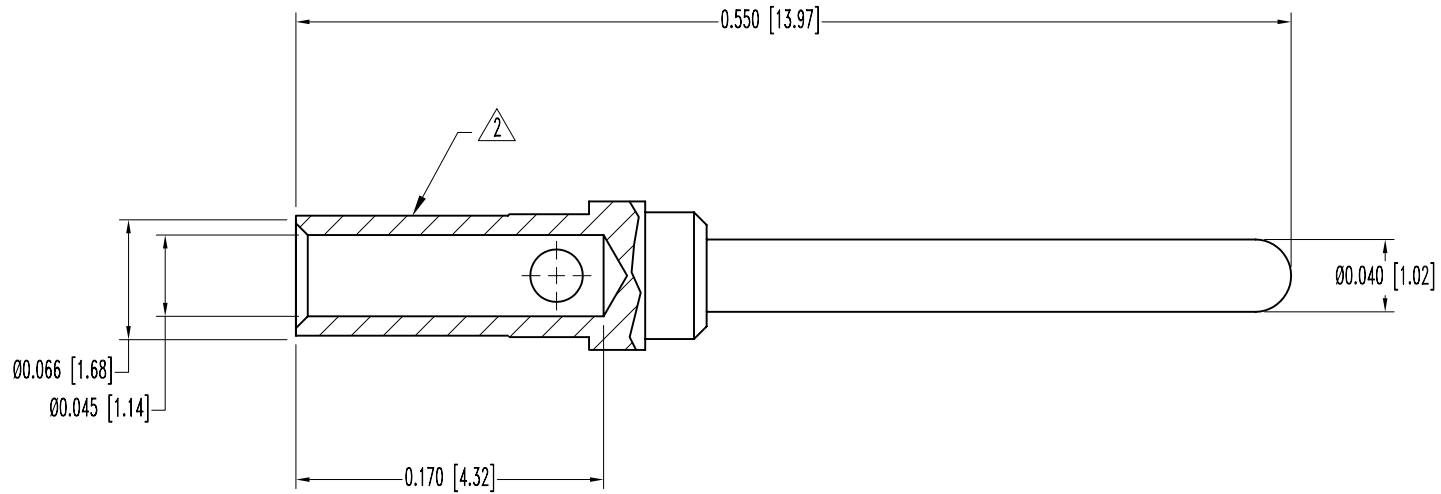


SK7280

POSITRONIC INDUSTRIES BELIEVES THE DATA ON THIS DRAWING TO BE RELIABLE. SINCE THE TECHNICAL INFORMATION IS GIVEN FREE OF CHARGE, THE USER EMPLOYS SUCH INFORMATION AT HIS OWN DISCRETION AND RISK. POSITRONIC INDUSTRIES ASSUMES NO RESPONSIBILITY FOR RESULTS OBTAINED OR DAMAGES INCURRED FROM USE OF SUCH INFORMATION IN WHOLE OR IN PART.

DATE	REV	REVISION RECORD	APP	DR	CK
4-24-06	NC	ECO 25867		YK	



NOTES:

1. MATERIAL AND FINISHES:
CONTACT: COPPER.
2. PERMANENTLY MARK CONTACT WITH A RED IDENTIFICATION BAND.
3. DIMENSIONS ARE IN INCHES [MILLIMETERS].

 POSITRONIC INDUSTRIES INC. www.connectpositronic.com		SCALE		DRAWN BY	
DECIMAL TOL. ± 0.015 [0.38]		RD SERIES		N.T.S.	
ANGULAR TOL. $\pm 5^\circ$		TITLE		APPROVED BY	
DATE		DRAWING NUMBER		REV.	
4-24-06		SK7280		YK	
		MC6020DCU		NC	