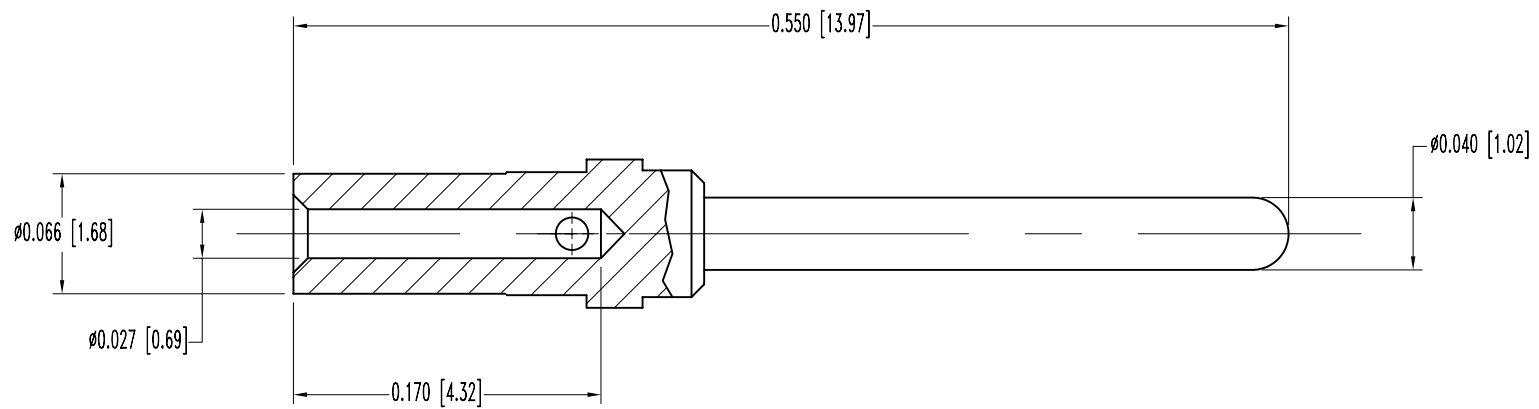


SK7933

POSITRONIC INDUSTRIES BELIEVES THE DATA ON THIS DRAWING TO BE RELIABLE. SINCE THE TECHNICAL INFORMATION IS GIVEN FREE OF CHARGE, THE USER EMPLOYS SUCH INFORMATION AT HIS OWN DISCRETION AND RISK. POSITRONIC INDUSTRIES ASSUMES NO RESPONSIBILITY FOR RESULTS OBTAINED OR DAMAGES INCURRED FROM USE OF SUCH INFORMATION IN WHOLE OR IN PART.

DATE	REV	REVISION RECORD	APP	DR	CK
9-1-06	NC	ECO 26605		YK	



NOTES:

1. MATERIAL: BRASS, GOLD FLASH OVER NICKEL PLATE.
2. DIMENSIONS ARE IN INCHES [MILLIMETERS].

 POSITRONIC INDUSTRIES INC. www.connectpositronic.com		SCALE		DRAWN BY	
DECIMAL TOL. $\pm 0.015 [0.38]$		CBD SERIES		N.T.S.	
ANGULAR TOL. $\pm 5^\circ$		DATE 9-1-06		DRAWING NUMBER SK7933	
		TITLE MC6026D		APPROVED BY YK	
				REV. NC	