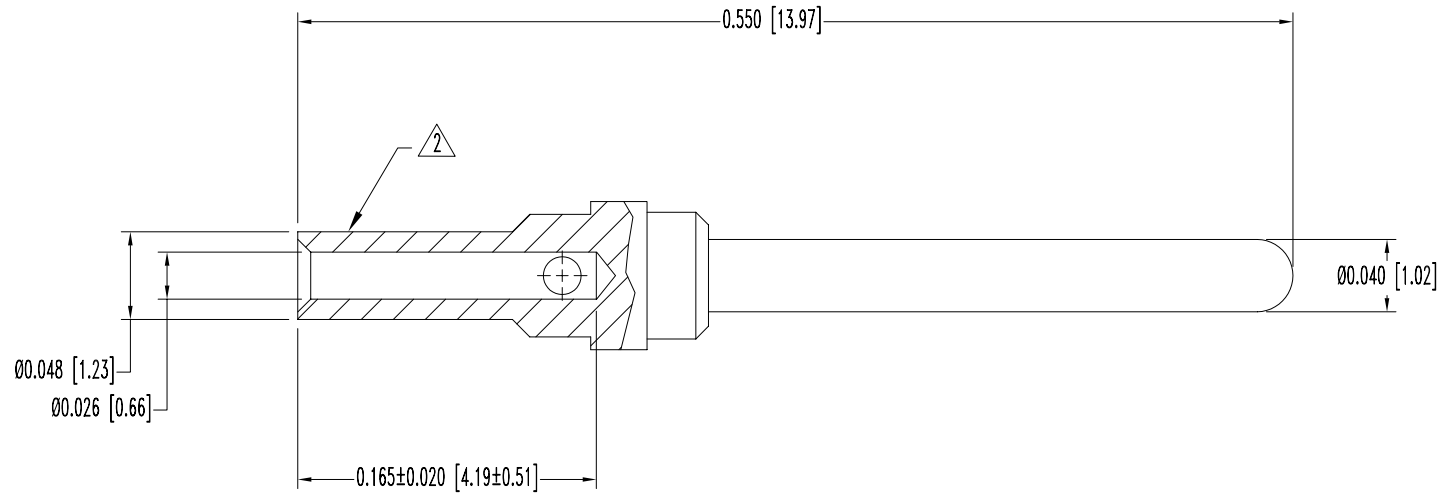


SK8874

POSITRONIC INDUSTRIES BELIEVES THE DATA ON THIS DRAWING TO BE RELIABLE. SINCE THE TECHNICAL INFORMATION IS GIVEN FREE OF CHARGE, THE USER EMPLOYS SUCH INFORMATION AT HIS OWN DISCRETION AND RISK. POSITRONIC INDUSTRIES ASSUMES NO RESPONSIBILITY FOR RESULTS OBTAINED OR DAMAGES INCURRED FROM USE OF SUCH INFORMATION IN WHOLE OR IN PART.

DATE	REV	REVISION RECORD	APP	DR	CK
8-23-07	NC	ECO 28353		YK	TK



NOTES:

1. MATERIAL AND FINISHES:
CONTACT: CONSTANTAN.
2. PERMANENTLY MARK CONTACT WITH A YELLOW IDENTIFICATION BAND.
3. DIMENSIONS ARE IN INCHES [MILLIMETERS].

 POSITRONIC INDUSTRIES INC. www.connectpositronic.com		FSCM 28198	
	RD SERIES	SCALE N.T.S.	DRAWN BY YK
DECIMAL TOL. ± 0.015 [0.38]	APPROVED BY		
	TITLE MC6026DC0		
ANGULAR TOL. ± 5°	DATE 8-23-07	DRAWING NUMBER SK8874	REV. NC