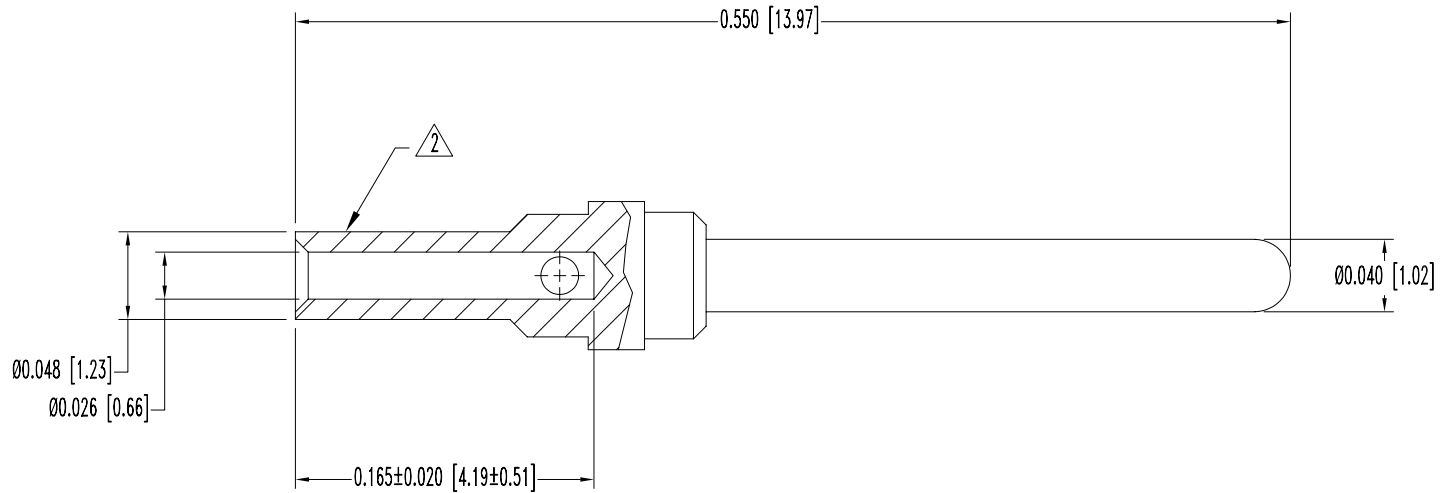


SK8875

POSITRONIC INDUSTRIES BELIEVES THE DATA ON THIS DRAWING TO BE RELIABLE. SINCE THE TECHNICAL INFORMATION IS GIVEN FREE OF CHARGE, THE USER EMPLOYS SUCH INFORMATION AT HIS OWN DISCRETION AND RISK. POSITRONIC INDUSTRIES ASSUMES NO RESPONSIBILITY FOR RESULTS OBTAINED OR DAMAGES INCURRED FROM USE OF SUCH INFORMATION IN WHOLE OR IN PART.

DATE	REV	REVISION RECORD	APP	DR	CK
8-23-07	NC	ECO 28353	RCW	YK	TK



NOTES:

1. MATERIAL AND FINISHES:  
CONTACT: COPPER.
2. PERMANENTLY MARK CONTACT WITH A RED IDENTIFICATION BAND.
3. DIMENSIONS ARE IN INCHES [MILLIMETERS].

 <b>POSITRONIC INDUSTRIES INC.</b> www.connectpositronic.com		FSCM 28198	
 DECIMAL TOL. ± 0.015 [0.38]	RD SERIES	SCALE N.T.S.	DRAWN BY YK
TITLE MC6026DCU		APPROVED BY RCW	
ANGULAR TOL. ± 5°	DATE 8-23-07	DRAWING NUMBER SK8875	REV. NC