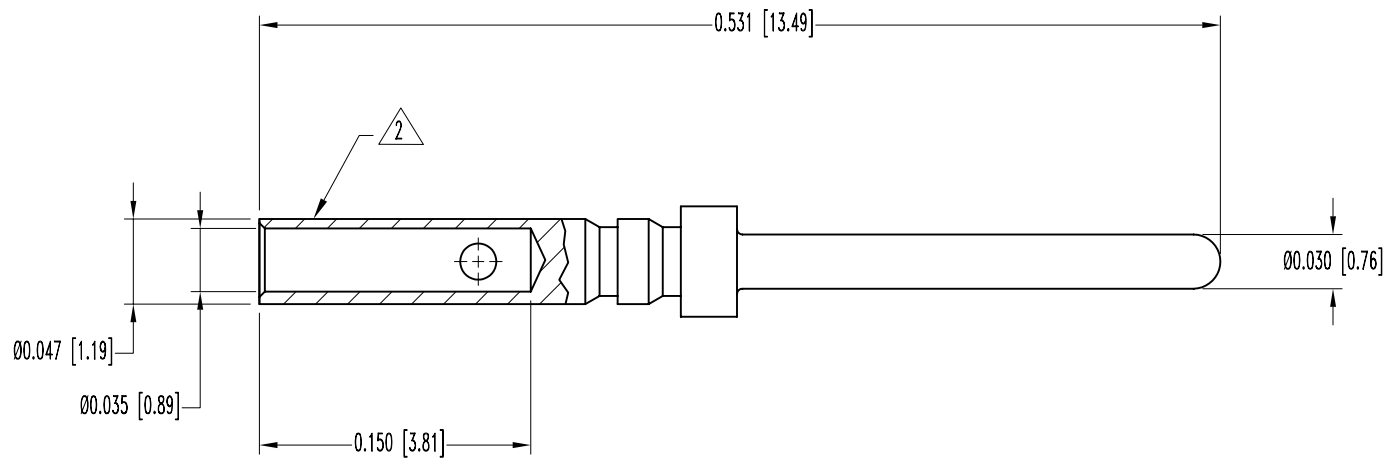


SK5967

POSITRONIC INDUSTRIES BELIEVES THE DATA ON THIS DRAWING TO BE RELIABLE. SINCE THE TECHNICAL INFORMATION IS GIVEN FREE OF CHARGE, THE USER EMPLOYS SUCH INFORMATION AT HIS OWN DISCRETION AND RISK. POSITRONIC INDUSTRIES ASSUMES NO RESPONSIBILITY FOR RESULTS OBTAINED OR DAMAGES INCURRED FROM USE OF SUCH INFORMATION IN WHOLE OR IN PART.

DATE	REV	REVISION RECORD	APP	DR	CK
1-31-04	NC	ECO 23593		YK	



NOTES:

- MATERIAL AND FINISHES:
CONTACT: CHROMEL.
- PERMANENTLY MARK CONTACT WITH A WHITE IDENTIFICATION BAND.
- DIMENSIONS ARE IN INCHES [MILLIMETERS].

 POSITRONIC INDUSTRIES INC. www.connectpositronic.com		SCALE		DRAWN BY	
 DECIMAL TOL. ± 0.015 [0.38]		DD SERIES		N.T.S.	
 ANGULAR TOL. ± 5°		DATE		REV.	
		1-31-05		NC	
		DRAWING NUMBER		APPROVED BY	
		SK5967		YK	
		TITLE			
		MC8022DCH			