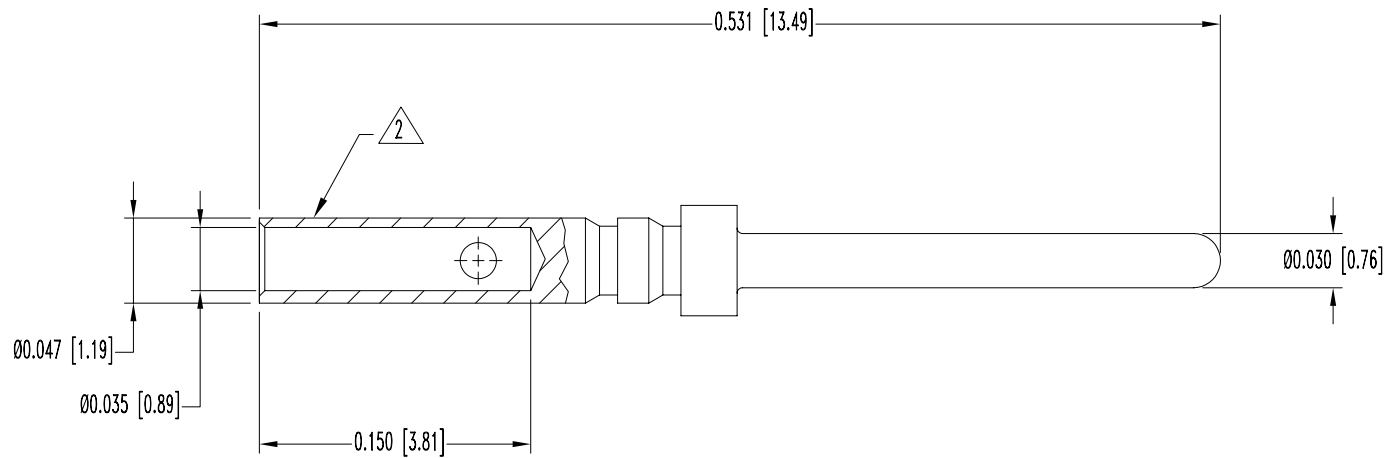


SK6743

THIS DRAWING CONTAINS INFORMATION PROPRIETARY TO POSITRONIC AND ITS SUBSIDIARIES. POSITRONIC BELIEVES THE DATA ON THIS DRAWING TO BE RELIABLE, SINCE THE TECHNICAL INFORMATION IS GIVEN FREE OF CHARGE, THE USER EMPLOYS SUCH INFORMATION AT HIS OWN DISCRETION AND RISK. POSITRONIC ASSUMES NO RESPONSIBILITY FOR RESULTS OBTAINED OR DAMAGES INCURRED FROM USE OF SUCH INFORMATION IN WHOLE OR IN PART.

DATE	REV	REVISION RECORD	APP	DR	CK
11-19-05	NC	ECO 25079	RCW	YK	TK
1-4-08	A	ECO 28835	RCW	YK	COLE



NOTES:

- MATERIAL AND FINISHES:
CONTACT: COPPER ALLOY, 0.000015 [0.37μ] GOLD PLATE.
- PERMANENTLY MARK CONTACT WITH A RED IDENTIFICATION BAND.
- DIMENSIONS ARE IN INCHES [MILLIMETERS].

 POSITRONIC INDUSTRIES INC. www.connectpositronic.com		FSCM 28198	
 DECIMAL TOL. ± 0.015 [0.38]	DD SERIES	SCALE N.T.S.	DRAWN BY YK APPROVED BY RCW
TITLE MC8022DCU			
ANGULAR TOL. ± 5°	DATE 11-19-05	DRAWING NUMBER SK6743	REV. A