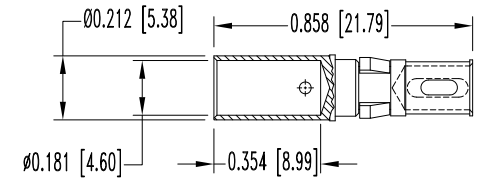
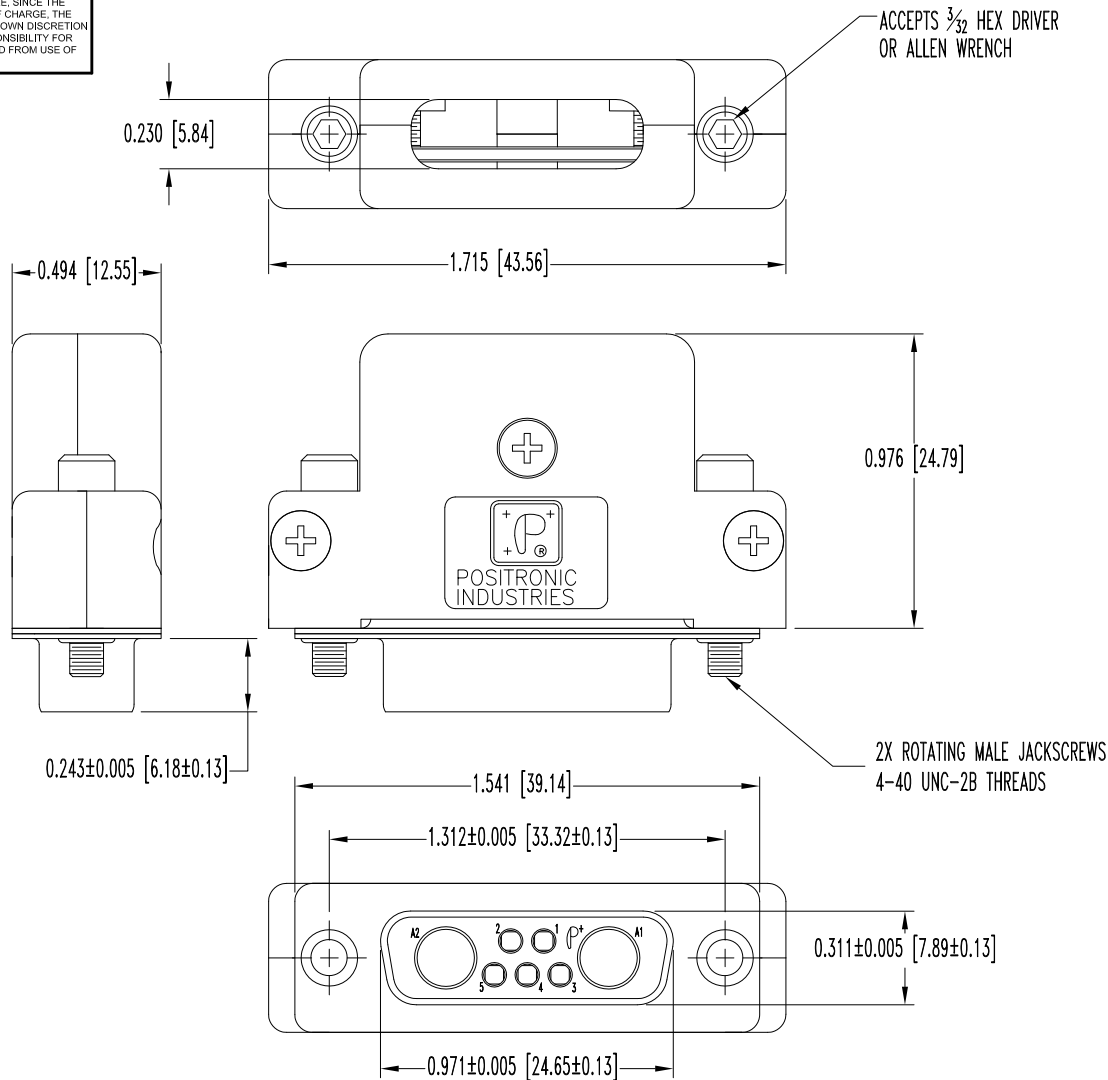


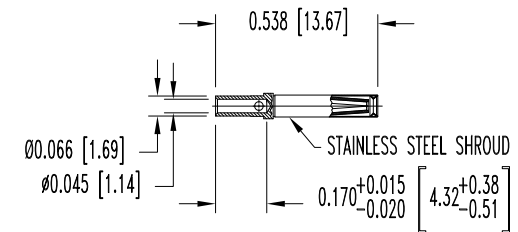
SK9717

THIS DRAWING CONTAINS INFORMATION PROPRIETARY TO POSITRONIC AND ITS SUBSIDIARIES. POSITRONIC BELIEVES THE DATA ON THIS DRAWING TO BE RELIABLE, SINCE THE TECHNICAL INFORMATION IS GIVEN FREE OF CHARGE. THE USER EMPLOYS SUCH INFORMATION AT HIS OWN DISCRETION AND RISK. POSITRONIC ASSUMES NO RESPONSIBILITY FOR RESULTS OBTAINED OR DAMAGES INCURRED FROM USE OF SUCH INFORMATION IN WHOLE OR IN PART.

DATE	REV	REVISION RECORD	APP	DR	CK
9-16-08	NC	ECO 29980	TK	YK	TK



2X POWER CONTACT



2X SIGNAL CONTACT

NOTES:

1. MATERIAL AND FINISHES:

INSULATOR: GLASS FILLED POLYESTER PER MIL-M-24519, UL 94V-0, COLOR BLUE.
 SIGNAL CONTACTS: PRECISION-MACHINED HIGH TENSILE COPPER ALLOY WITH STAINLESS STEEL SHROUD, GOLD FLASH OVER NICKEL FINISH.
 POWER CONTACTS: COPPER ALLOY, GOLD FLASH OVER NICKEL FINISH.
 SHELLS: STEEL, ZINC FINISH WITH CHROMATE SEAL.
 SPACERS: STEEL, ZINC FINISH WITH CHROMATE SEAL.
 HOOD AND COVER: GLASS FILLED POLYESTER, COLOR BLUE.
 JACKSCREWS: STEEL, ZINC FINISH WITH CHROMATE SEAL.
 COVER SCREWS: STAINLESS STEEL, PASSIVATED.
 CABLE CLAMP: STEEL, NICKEL FINISH.
 CABLE CLAMP SCREWS: BRASS, ZINC FINISH WITH CHROMATE SEAL.

2. ELECTRICAL CHARACTERISTICS:

CONTACT CURRENT RATING: SIGNAL CONTACTS: 7.5 AMPS. NOMINAL.
 POWER CONTACTS: MTCA 48V: 70 AMPS. NOMINAL, PER UL1977.
 INITIAL CONTACT RESISTANCE: SIGNAL CONTACTS: 0.008 OHMS MAX.
 POWER CONTACTS: 0.0005 OHMS MAX. PER IEC 512-2, TEST 2b.
 INSULATOR RESISTANCE: 5 G OHMS.
 WORKING VOLTAGE: 300 V r.m.s.
 3. WORKING TEMPERATURE: -55°C TO +125°C.
 4. CONNECTORS ARE ROHS COMPLIANT PER ROHS DIRECTIVE 2002/95/EC OF 27 JAN 2003.
 5. DIMENSIONS ARE IN INCHES [MILLIMETERS].

		POSITRONIC INDUSTRIES INC. www.connectpositronic.com		FSCM 28198
		QB SERIES	SCALE N.T.S.	DRAWN BY YK
DECIMAL TOL. ± 0.015 [0.38]	TITLE QB7W2F12QH0/AA			
ANGULAR TOL. ± 5°	DATE 9-16-08	DRAWING NUMBER SK9717	REV. NC	