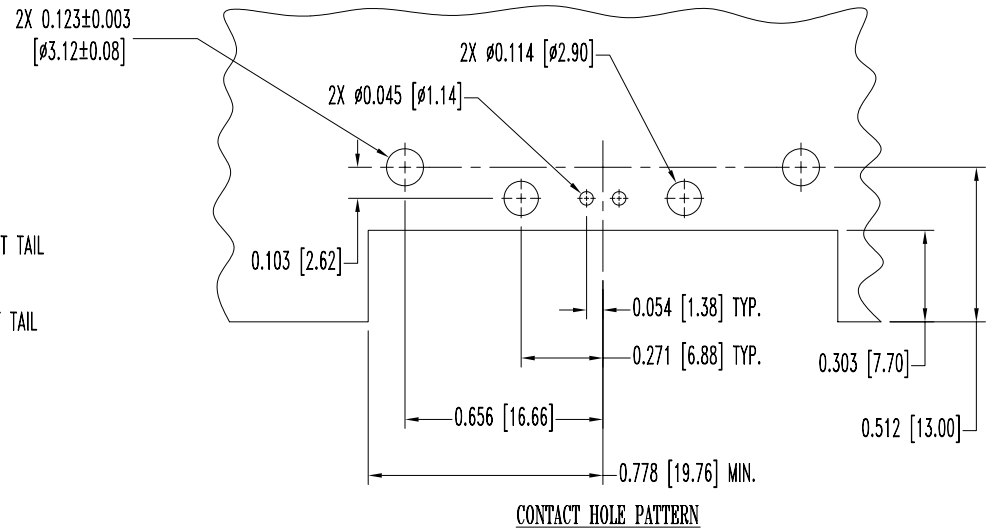
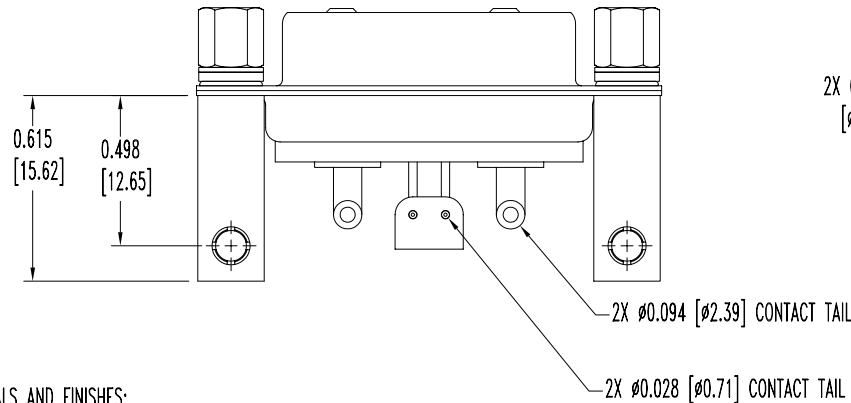
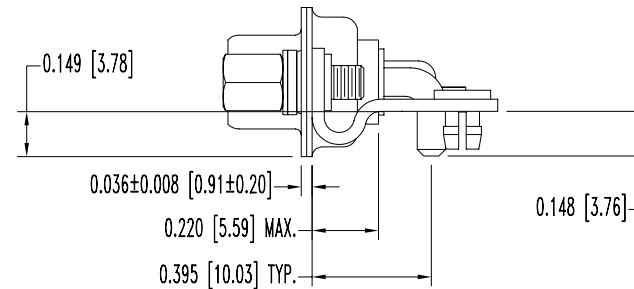
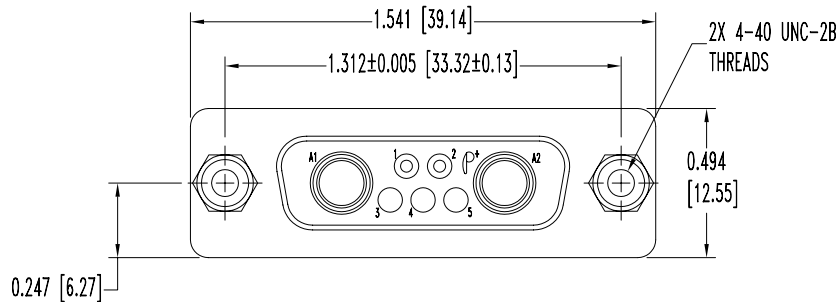


POSITRONIC INDUSTRIES BELIEVES THE DATA ON THIS DRAWING TO BE RELIABLE. SINCE THE TECHNICAL INFORMATION IS GIVEN FREE OF CHARGE, THE USER EMPLOYS SUCH INFORMATION AT HIS OWN DISCRETION AND RISK. POSITRONIC INDUSTRIES ASSUMES NO RESPONSIBILITY FOR RESULTS OBTAINED OR DAMAGES INCURRED FROM USE OF SUCH INFORMATION IN WHOLE OR IN PART.

| DATE | REV | REVISION RECORD | APP | DR | CK |
|----------|-----|-----------------|-----|----|------|
| 11-20-07 | NC | ECO 28669 | | YK | COLE |
| | | | | | |
| | | | | | |



NOTES:

- MATERIALS AND FINISHES:
 - INSULATORS: GLASS FILLED POLYESTER PER MIL-M-24519, UL 94V-0, BLUE COLOR.
 - SIGNAL CONTACTS: COPPER ALLOY, GOLD FLASH OVER NICKEL FINISH.
 - POWER CONTACTS: COPPER ALLOY, GOLD FLASH OVER NICKEL FINISH.
 - SHELLS: STEEL WITH ZINC PLATE WITH CHROMATE SEAL.
 - MOUNTING BRACKETS: BRASS WITH ZINC PLATE WITH CHROMATE SEAL.
 - JACKSCREWS: STEEL WITH ZINC PLATE WITH CHROMATE SEAL.
 - WASHERS: BRASS WITH ZINC PLATE WITH CHROMATE SEAL.
 - RIVETS: BRASS WITH ZINC PLATE WITH CHROMATE SEAL.
 - ALIGNMENT BAR: GLASS FILLED NYLON, COLOR BLACK.
 - PUSH-ON FASTENERS: BERYLLIUM COPPER, TIN PLATE.
- ELECTRICAL CHARACTERISTICS:
 - SIGNAL CONTACTS: 7.5 AMPS NOMINAL.
 - INITIAL CONTACT RESISTANCE: 0.008 OHMS MAXIMUM.
 - POWER CONTACTS: 24 AMPS MINIMUM AT 30° C RISE.
 - INITIAL CONTACT RESISTANCE: 0.0005 OHMS MAXIMUM.
 - INSULATOR RESISTANCE: 5 G OHMS.
 - WORKING VOLTAGE: 300 V r.m.s.
- TEMPERATURE RANGE: -55°C TO +125°C.
- CONNECTORS ARE RoHS COMPLIANT PER RoHS DIRECTIVE 2002/95/EC OF 27 JAN. 2003.
- DIMENSIONS ARE IN INCHES [MILLIMETERS].

| | | | |
|----------------------|--|----------------------------|--------------------------|
| | POSITRONIC INDUSTRIES INC. www.connectpositronic.com | | FSCM 28198 |
| | DECIMAL TOL. ± 0.015 [0.38] | QB SERIES | SCALE N.T.S. |
| ANGULAR TOL. ± 5° | DATE 11-20-07 | TITLE QB7W2M56R7NT20/AA | DRAWING NUMBER SK9105 |
| | | | REV. NC |