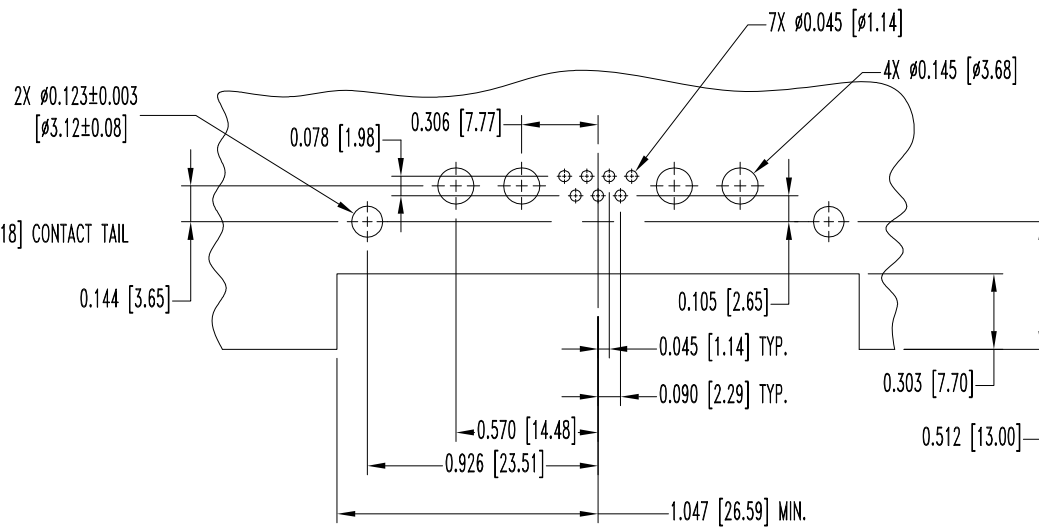
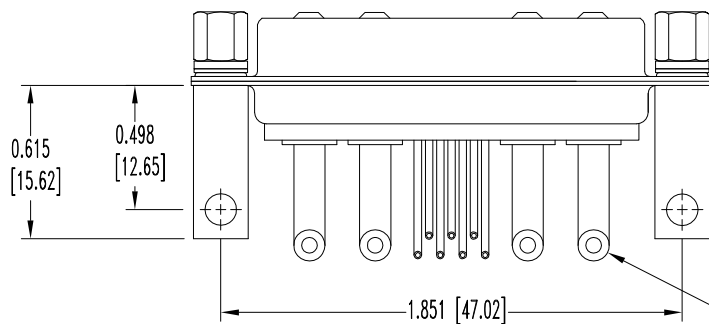
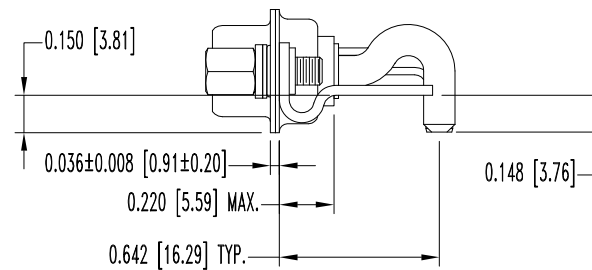
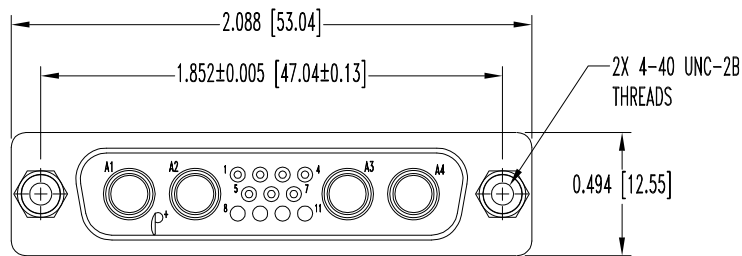


THIS DRAWING CONTAINS INFORMATION PROPRIETARY TO POSITRONIC AND ITS SUBSIDIARIES. POSITRONIC BELIEVES THE DATA ON THIS DRAWING TO BE RELIABLE. SINCE THE TECHNICAL INFORMATION IS GIVEN FREE OF CHARGE, THE USER EMPLOYS SUCH INFORMATION AT HIS OWN DISCRETION AND RISK. POSITRONIC ASSUMES NO RESPONSIBILITY FOR RESULTS OBTAINED OR DAMAGES INCURRED FROM USE OF SUCH INFORMATION IN WHOLE OR IN PART.

DATE	REV	REVISION RECORD	APP	DR	CK
7-17-09	NC	ECO 31320	RCW	BS	COLE



CONTACT HOLE PATTERN

NOTES:

1. MATERIALS AND FINISHES:

- INSULATOR: GLASS FILLED POLYESTER PER MIL-M-24519, UL 94V-0, COLOR: BLUE.
- CONTACTS: COPPER ALLOY, GOLD FLASH OVER NICKEL PLATE.
- SHELLS: STEEL, ZINC PLATE WITH CHROMATE SEAL.
- MOUNTING BRACKETS: BRASS, ZINC PLATE WITH CHROMATE SEAL.
- JACKSCREWS: STEEL, ZINC PLATE WITH CHROMATE SEAL.

2. ELECTRICAL CHARACTERISTICS:

SIGNAL CONTACTS:

- CONTACT CURRENT RATING: 10 AMPS NOMINAL.
- INITIAL CONTACT RESISTANCE: 0.008 OHMS MAX.

POWER CONTACTS:

- CONTACT CURRENT RATING: 50 AMPS MIN. AT 30°C RISE.
- INITIAL CONTACT RESISTANCE: 0.0005 OHMS MAX.

INSULATOR RESISTANCE: 5 G OHMS.

WORKING VOLTAGE: 300 V r.m.s.

3. TEMPERATURE RANGE: -55°C TO +125°C

4. CONNECTOR IS ROHS COMPLIANT PER ROHS DIRECTIVE 2002/95/EC OF 27 JAN 2003.

5. DIMENSIONS ARE IN INCHES [MILLIMETERS]

	POSITRONIC INDUSTRIES INC. www.connectpositronic.com		FSCM 28198
	QB SERIES	SCALE N.T.S.	DRAWN BY B SHELEDDY
DECIMAL TOL. ± 0.015 [0.38]	TITLE QBH15W4M57R70T20/AA		
ANGULAR TOL. ± 5°	DATE 7-16-09	DRAWING NUMBER SK10923	REV. NC
		APPROVED BY R WILLIAMS	