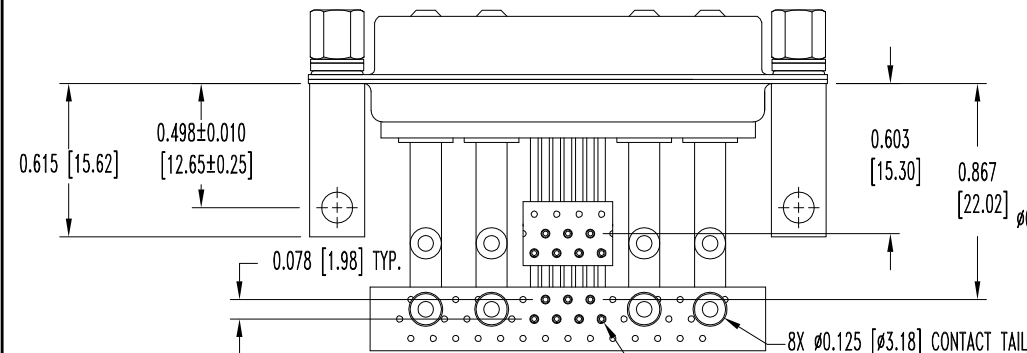
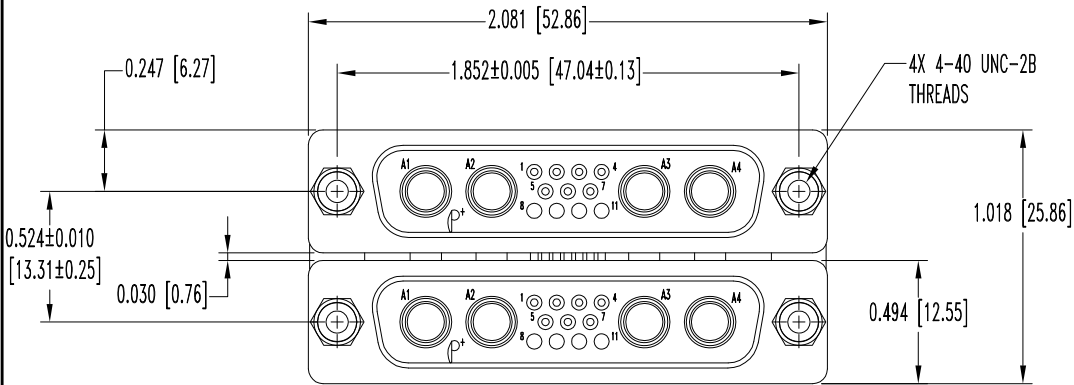


SK10856

THIS DRAWING CONTAINS INFORMATION PROPRIETARY TO POSITRONIC AND ITS SUBSIDIARIES. POSITRONIC BELIEVES THE DATA ON THIS DRAWING TO BE RELIABLE, SINCE THE TECHNICAL INFORMATION IS GIVEN FREE OF CHARGE, THE USER EMPLOYS SUCH INFORMATION AT HIS OWN DISCRETION AND RISK. POSITRONIC ASSUMES NO RESPONSIBILITY FOR RESULTS OBTAINED OR DAMAGES INCURRED FROM USE OF SUCH INFORMATION IN WHOLE OR IN PART.

DATE	REV	REVISION RECORD	APP	DR	CK
6-22-09	NC	ECO 31215	TK	TK	TK
9-01-09	A	ECO 31481	RCW	BS	TK



NOTES:

1. MATERIALS AND FINISHES:

- INSULATORS: GLASS FILLED POLYESTER PER MIL-M-24519, UL 94V-0, COLOR: BLUE.
- CONTACTS: PRECISION MACHINED COPPER ALLOY, GOLD FLASH OVER NICKEL PLATE.
- SHELLS: STEEL WITH ZINC PLATE WITH CHROMATE SEAL.
- MOUNTING BRACKETS: BRASS WITH ZINC PLATE WITH CHROMATE SEAL.
- ALIGNMENT BARS: GLASS FILLED NYLON, COLOR: BLACK.

2. ELECTRICAL CHARACTERISTICS:

CONTACT CURRENT RATINGS:

- SIGNAL CONTACTS: 10 AMPS NOMINAL.
- POWER CONTACTS: 50 AMPS MINIMUM AT 30°C RISE.
- INITIAL CONTACT RESISTANCE:

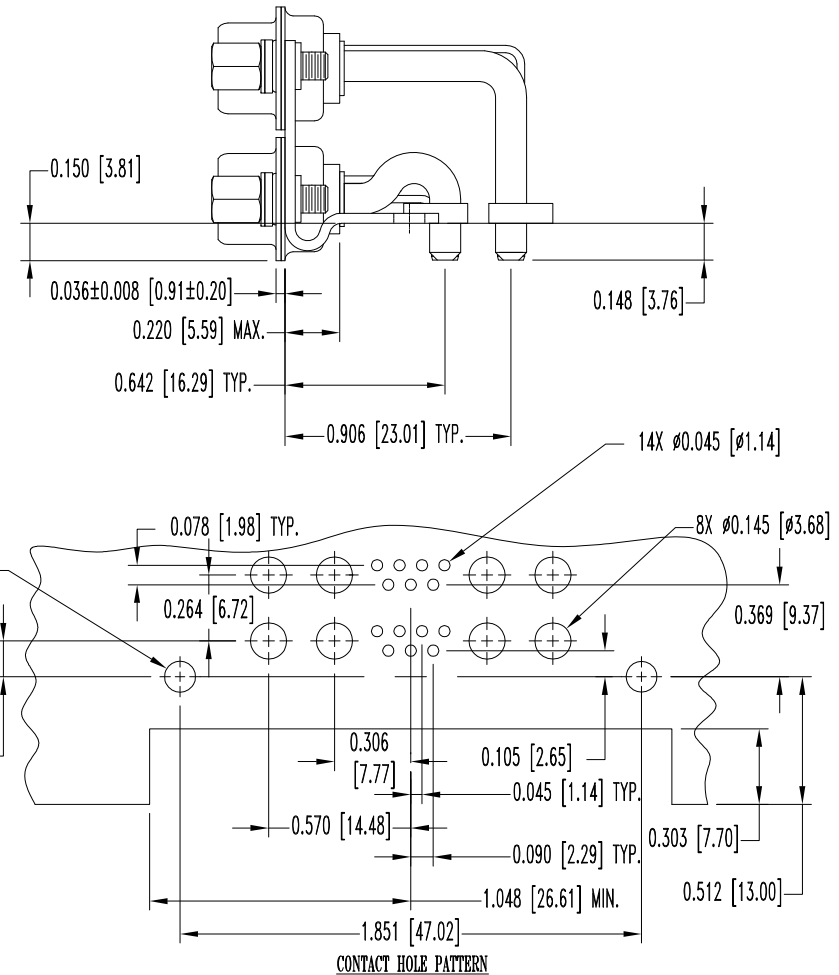
 - SIGNAL CONTACTS: 0.008 OHMS MAX.
 - POWER CONTACTS: 0.0005 OHMS MAX.

- INSULATOR RESISTANCE: 5 G OHMS.
- WORKING VOLTAGE: 300 V r.m.s.

3. TEMPERATURE RANGE: -55°C TO +125°C.

4. CONNECTORS ARE ROHS COMPLIANT PER ROHS DIRECTIVE 2002/95/EC OF 27 JAN. 2003.

5. DIMENSIONS ARE IN INCHES [MILLIMETERS].



		POSITRONIC INDUSTRIES INC. www.connectpositronic.com		FSCM 28198
		QB SERIES	SCALE N.T.S.	DRAWN BY TK
DECIMAL TOL. ± 0.015 [0.38]	TITLE QBH15W4MR7T2/15W4MR7T20/AA			
ANGULAR TOL. ± 5°	DATE 6-22-09	DRAWING NUMBER SK10856	REV. A	