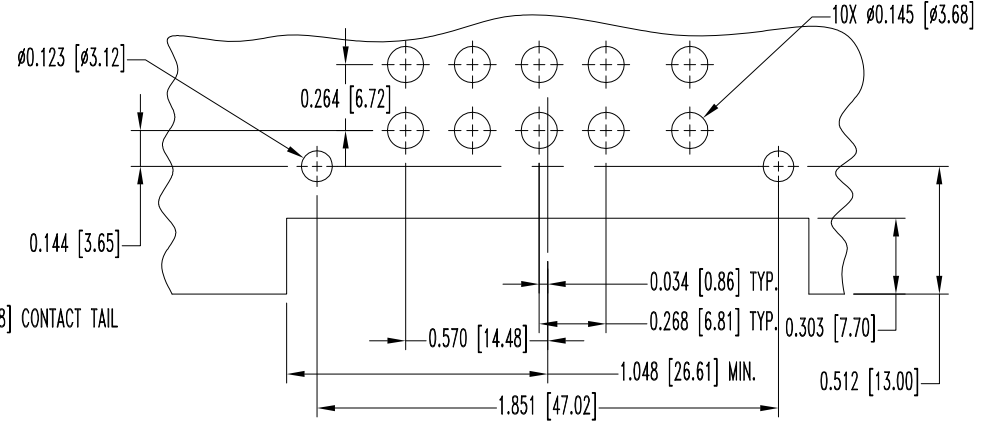
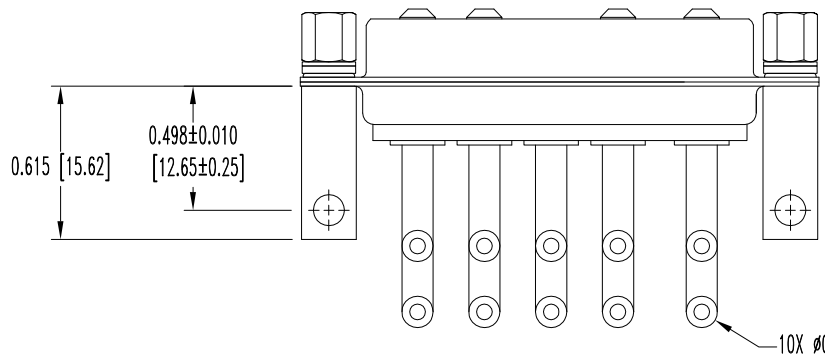
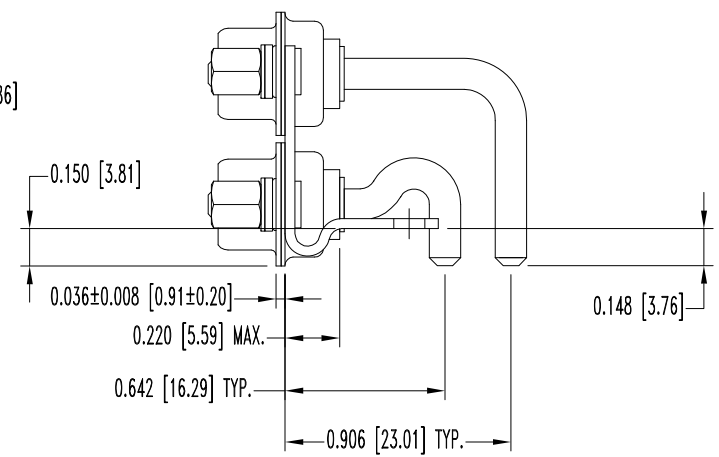
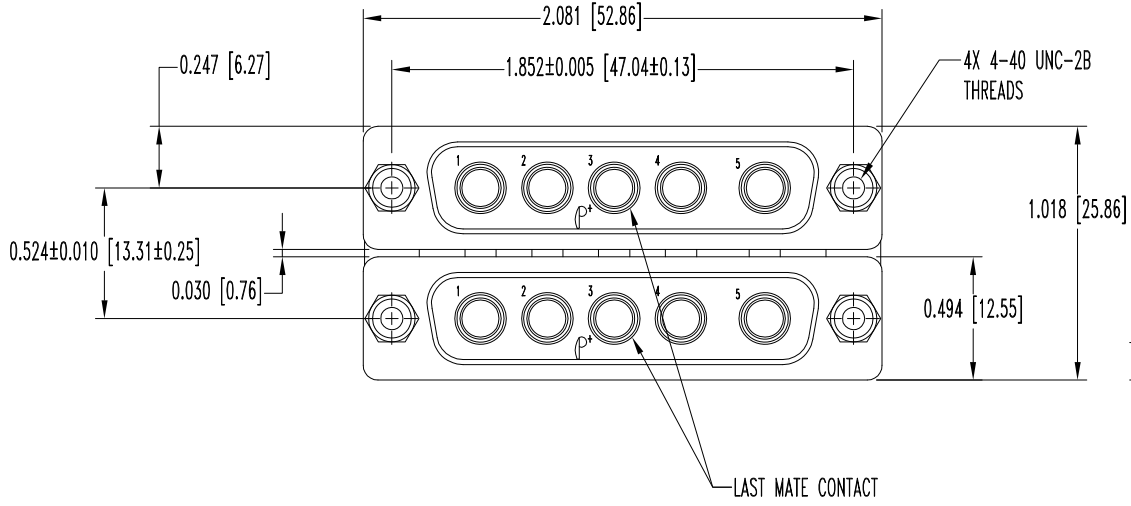


THIS DRAWING CONTAINS INFORMATION PROPRIETARY TO POSITRONIC AND ITS SUBSIDIARIES. POSITRONIC BELIEVES THE DATA ON THIS DRAWING TO BE RELIABLE, SINCE THE TECHNICAL INFORMATION IS GIVEN FREE OF CHARGE, THE USER EMPLOYS SUCH INFORMATION AT HIS OWN DISCRETION AND RISK. POSITRONIC ASSUMES NO RESPONSIBILITY FOR RESULTS OBTAINED OR DAMAGES INCURRED FROM USE OF SUCH INFORMATION IN WHOLE OR IN PART.

DATE	REV	REVISION RECORD	APP	DR	CK
4-9-09	NC	ECO 30914	RCW	TK	TK
7-22-09	A	ECO 31338	TK	BS	TK



CONTACT HOLE PATTERN

- NOTES:
- MATERIALS AND FINISHES:
 INSULATORS: GLASS FILLED POLYESTER PER MIL-M-24519, UL 94V-0, COLOR: BLUE.
 CONTACTS: PRECISION MACHINED COPPER ALLOY, GOLD FLASH OVER NICKEL PLATE.
 SHELLS: STEEL, ZINC PLATE WITH CHROMATE SEAL.
 MOUNTING BRACKETS: BRASS, ZINC PLATE WITH CHROMATE SEAL.
 - ELECTRICAL CHARACTERISTICS:
 POWER CONTACTS: 50 AMPS MIN AT 30°C RISE.
 INITIAL CONTACT RESISTANCE: 0.0005 OHMS MAX.
 INSULATOR RESISTANCE: 5 G OHMS.
 WORKING VOLTAGE: 300 V r.m.s.
 - TEMPERATURE RANGE: -55°C TO +125°C
 - CONNECTORS ARE ROHS COMPLIANT PER ROHS DIRECTIVE 2002/95/EC OF 27 JAN 2003.
 - DIMENSIONS ARE IN INCHES [MILLIMETERS].

	POSITRONIC INDUSTRIES INC. www.connectpositronic.com		FSCM 28198
	QB SERIES	SCALE N.T.S.	DRAWN BY T.KEPLEY
DECIMAL TOL. ± 0.015 [0.38]	TITLE QBH5W5MR7T2/5W5MR7T20/AA		
ANGULAR TOL. ± 5°	DATE 4-9-09	DRAWING NUMBER SK10526	REV. A