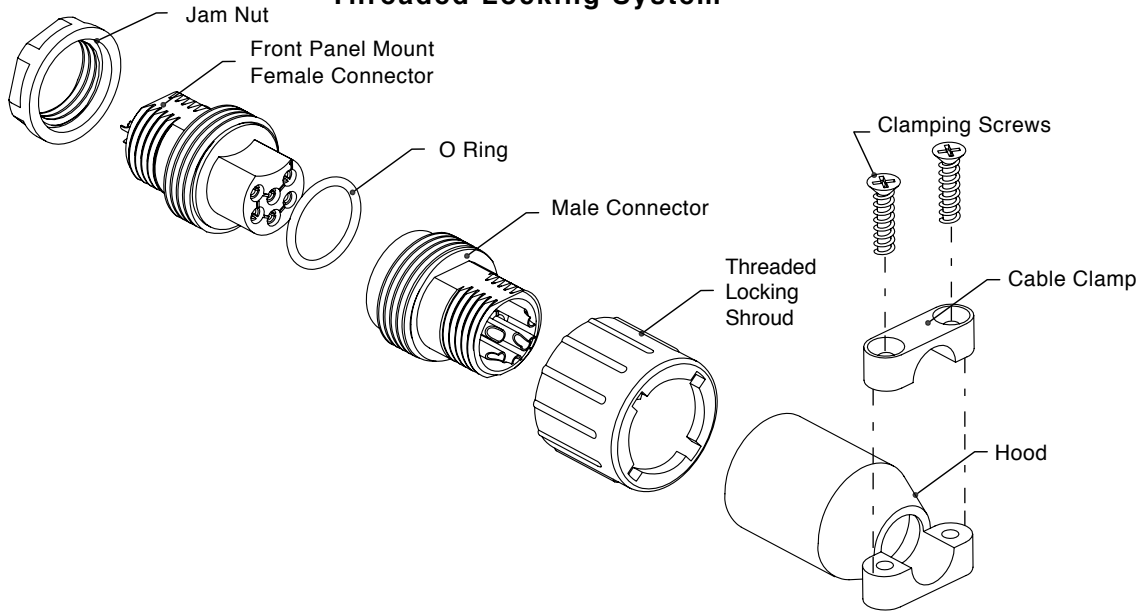




**Typical Connector Assembly
Threaded Locking System**



Connector Ordering Information

Specify complete connector by following step 1 through step 5.

Step	1	2	3	4	5
Example	BKC620	F2T1	PF	/AA	- XXX

<p>STEP 1: CONNECTOR VERSION Baby King Cobra Series - BKC620 : Six (6) size 20 contacts. BKC320 : Three (3) size 20 contacts.</p>		<p>STEP 6 - SPECIAL OPTIONS Consult factory for special options.</p>
<p>STEP 2: CONNECTOR GENDER AND TYPE OF CONTACTS</p> <p>M2T1 : Threaded Male, solder cup, fixed contacts. (Supplied Without Threaded Locking Shroud)</p> <p>F2T1 : Threaded Female, solder cup, fixed contacts. (Supplied Without Threaded Locking Shroud)</p> <p>M2T2 : Threaded Male, solder cup, fixed contacts. (Supplied With Threaded Locking Shroud)</p> <p>F2T2 : Threaded Female, solder cup, fixed contacts. (Supplied With Threaded Locking Shroud) (M2T1 mates only with F2T2 or F2T1.) (F2T1 mates only with M2T2 or M2T1.)</p> <p>M2TW1 : Twist Male, solder cup, fixed contacts. (Supplied without Twist Locking Shroud)</p> <p>F2TW1 : Twist Female, solder cup, fixed contacts (Supplied without Twist Locking Shroud)</p> <p>M2TW3 : Twist Male, solder cup, fixed contacts. (Supplied with Twist Locking Shroud)</p> <p>F2TW3 : Twist Female, solder cup, fixed contacts. (Supplied with Twist Locking Shroud) (M2TW1 mates only with F2TW3 or F2TW1.) (F2TW1 mates only with M2TW3 or M2TW1.)</p>	<p>STEP 4: ENVIRONMENTAL COMPLIANCE OPTION /AA : Compliance per EU Directive 2002/95/EC (RoHS) Example: BKC620M2T2P/AA. Note : If RoHS legislation is not required, this step will not be used. Example: BKC620M2T2P.</p>	<p>STEP 3: MOUNTING STYLES AND HOOD</p> <p>0 : None.</p> <p>P : Panel mount with jam nut and without flange. (Available in Front Mount version only)</p> <p>PF : Panel mount with Flange and without jam nut. (Available in Rear Mount version only)</p> <p>J : Hood.</p>
<p>Above views applicable for both BKC620 and BKC320 versions.</p>		

Positronic believes the data contained herein to be reliable. Since the technical information is given free of charge, the user employs such information at his own discretion and risk. Positronic assumes no responsibility for results obtained or damages incurred from use of such information in whole or in part.

POSITRONIC INDUSTRIES, INC.
423 N Campbell Ave, PO Box 8247
Springfield, MO 65801, USA
Telephone (417) 866-2322
Fax (417) 866-4115
Toll Free (800) 641-4054
info@connectpositronic.com

POSITRONIC INDUSTRIES, S.A.S.
Zone Industrielle d'Engachies
46 Route d'Engachies
France 32020 Auch Cedex 9
Telephone 33 (0) 5 6263 4491
Fax 33 (0) 5 6263 5117
contact@connectpositronic.com

POSITRONIC ASIA PTE LTD.
Blk 3014A
Ubi Road 1 #07-01
Singapore 408703
Telephone 65 6842 1419
Fax 65 6842 1421
singapore@connectpositronic.com