



**POSITRONIC**<sup>®</sup>  
GLOBAL *Connector* SOLUTIONS

Quality Solutions  
Reliable Service

**POSITRONIC INDUSTRIES, INC.**  
Springfield, Missouri USA • 800-641-4054 • [info@connectpositronic.com](mailto:info@connectpositronic.com)

**POSITRONIC INDUSTRIES, S.A.S.**  
Auch, France • 33 5 62 63 44 91 • [contact@connectpositronic.com](mailto:contact@connectpositronic.com)

**POSITRONIC ASIA PTE LTD.**  
Singapore • (65) 6842 1419 • [singapore@connectpositronic.com](mailto:singapore@connectpositronic.com)

---

[www.connectpositronic.com](http://www.connectpositronic.com)

---

# HIGH PERFORMANCE D-SUBMINIATURE CATALOG CORRECTIONS

Dear Customer:

It is our goal to provide you with up-to-date product literature. In order to achieve this goal, we are supplying the attached pages.

These pages will update your **High Performance D-subminiature** catalog to the new revision of **C-005 Rev B1**. It also will correct errors contained in our printed material and/or provide information about product expansion. These changes are indicated by ***bold italics and are underlined***. Please reference page numbers at bottom of each page for proper placement in the catalog.

If you would like to request additional printed copies, email your request to [info@connectpositronic.com](mailto:info@connectpositronic.com). Please indicate the catalog and revision level requested, along with your name, address, city, state/province, country, and postal code.

Also, updated PDF catalogs can be obtained by visiting our web site at [www.connectpositronic.com](http://www.connectpositronic.com).

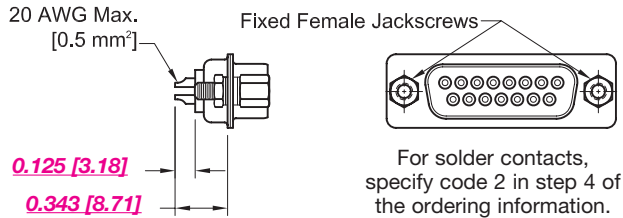
C-005 Rev. B1

## **PLEASE UPDATE YOUR CATALOG ACCORDINGLY.**

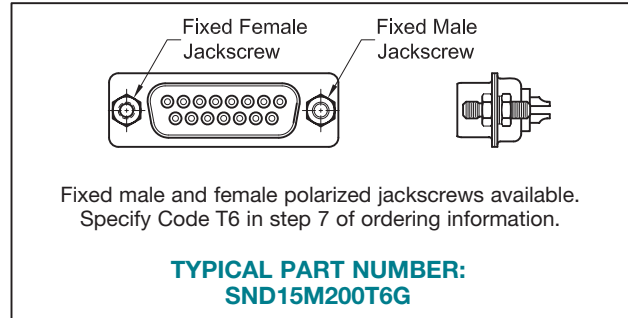
*We will make these corrections in the upcoming printing of this catalog. Contact us for any additional information at the location nearest you listed above.*



**SOLDER CUP TERMINATION  
CODE 2**



**TYPICAL PART NUMBER:  
SND15M200T2G**



**SND15S5R70T2G**  
(shown left)

**SND25M10H0G**  
(shown middle)

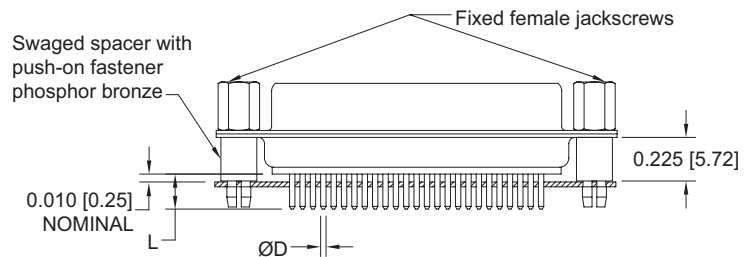
**SND9M000G with  
MC6020M contacts**  
(shown right)

**STRAIGHT SOLDER PRINTED BOARD MOUNT TERMINATION  
CODE 3, 32 AND 36**

*1 CODE NUMBER	L	ØD
3	0.170 [4.32]	0.028 [0.71]
32	0.375 [9.53]	0.028 [0.71]
36	0.236 [6.00]	0.024 [0.61]

**NOTE:**

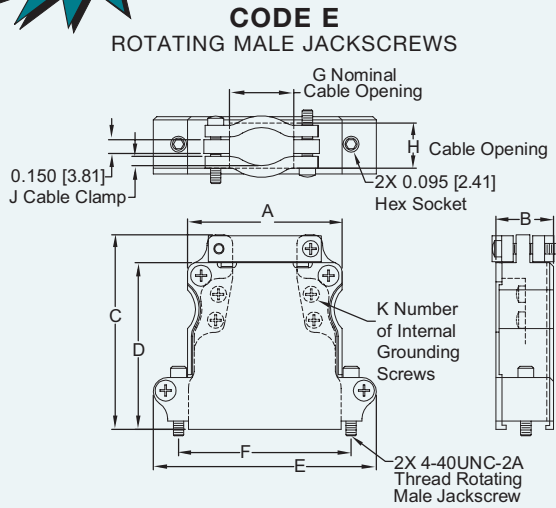
\*1 Contact termination code as specified in Step 4 of ordering information.



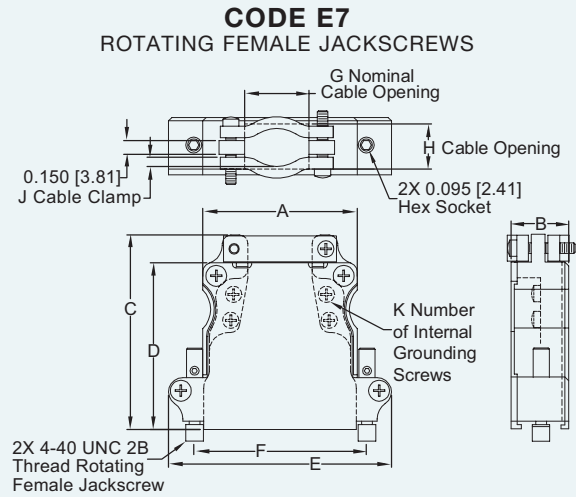
**TYPICAL PART NUMBER:  
SND25S3S60TG**



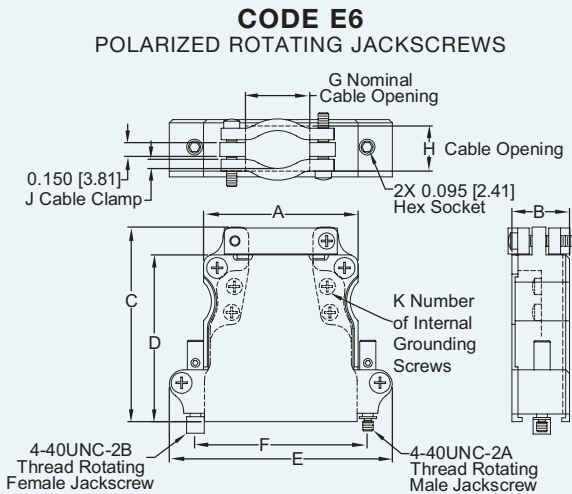
LIGHTWEIGHT ALUMINUM CABLE ADAPTER (HOOD)  
WITH ROTATING JACKSCREWS  
CODE ANE, ANE6, AND ANE7



TYPICAL PART NUMBER: D25000ANEG

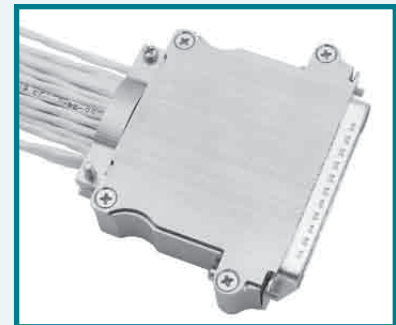


TYPICAL PART NUMBER: D25000ANE7G



TYPICAL PART NUMBER: D25000ANE6G

*For Technical  
Characteristics,  
see page 91  
for details.*



**D37000ANEG- Lightweight aluminum hood with rotating male jackscrews, pictured above with connector installed.**

SHELL SIZE	CONNECTOR / CONTACT VARIANT COMPATIBILITY		PART NUMBER	A	B	C	D	E	F	G	H		J	K
											Min. <sup>-2</sup>	Max.		
1	Std-D: 9 High-D: 15	Combo-D: 5W1, 2WK2 Combo-D High-D: 8W2	D9000AN*1G	0.908 [23.06]	0.616 [15.65]	2.090 [53.09]	1.790 [45.47]	1.524 [38.71]	0.984 [24.99]	0.362 [9.19]	0.240 [6.10]	0.483 [12.27]	0.050 [1.27]	4
2	Std-D: 15 High-D: 26	Combo-D: 3W3, 3WK3, 7W2, 11W1 Combo-D High-D: 19W1	D15000AN*1G	1.236 [31.39]	0.616 [15.65]	2.090 [53.09]	1.790 [45.47]	1.852 [47.04]	1.312 [33.32]	0.690 [17.53]	0.350 [8.89]	0.483 [12.27]	0.100 [2.54]	4
3	Std-D: 25 High-D: 44	Combo-D: 5W5, 9W4, 13W3, 17W2, 21W1 Combo-D High-D: 15W4	D25000AN*1G	1.656 [42.06]	0.616 [15.65]	2.090 [53.09]	1.790 [45.47]	2.392 [60.76]	1.852 [47.04]	0.690 [17.53]	0.350 [8.89]	0.483 [12.27]	0.100 [2.54]	4
4	Std-D: 37 High-D: 62	Combo-D: 8W8, 13W6, 17W5, 21WA4, 25W3, 27W2 Combo-D High-D: 45W2	D37000AN*1G	2.304 [58.52]	0.616 [15.65]	2.340 [59.44]	2.040 [51.82]	3.040 [77.22]	2.500 [63.50]	1.242 [31.55]	0.410 [10.41]	0.483 [12.27]	0.130 [3.30]	6
5	Std-D: 50 High-D: 78	Combo-D: 24W7, 36W4, 43W2, 47W1 Combo-D High-D: n/a	D50000AN*1G	2.210 [56.13]	0.727 [18.47]	2.340 [59.44]	2.040 [51.82]	2.946 [74.83]	2.406 [61.11]	1.242 [31.55]	0.410 [10.41]	0.594 [15.09]	0.130 [3.30]	6
6	Std-D: n/a High-D: 104	Combo-D: 46W4 Combo-D High-D: n/a	D104000AN*1G	2.304 [58.52]	0.790 [20.07]	2.340 [59.44]	2.040 [51.82]	3.040 [77.22]	2.500 [63.50]	1.242 [31.55]	0.410 [10.41]	0.657 [16.69]	0.130 [3.30]	6

NOTES: \*1 For completed part number, insert the desired code (E, E6 or E7) for required jackscrew option.  
\*2 Smaller cable openings may be achieved by inverting one or both cable clamps.

DIMENSIONS ARE IN INCHES [MILLIMETERS].  
ALL DIMENSIONS ARE SUBJECT TO CHANGE.