



LIGHTWEIGHT ALUMINUM CABLE ADAPTER (HOOD) EMI WITH MULTIPLE GROUNDING POINTS CODE A

GENERAL INFORMATION

This product has been designed for use in applications as a lightweight, EMI cable adapter for D-subminiature connectors. The features of the product are outlined below. Please contact Technical Sales for pricing and additional options.

GROUND SCREWS

- ◆ Sized and spaced for use with 0.250 inch [6.35mm] diameter ring terminals
- ◆ Ground shelf height and ground screw length allow for stacking of ring terminals
- ◆ Holes are pre-tapped for ease of installation
- ◆ Ground screws are located outside the exiting wire path to facilitate wire routing
- ◆ Ground holes are tapped through to the outside which provide for optional external grounding

SPACIOUS INTERIOR

- ◆ Shape maximizes internal area which facilitates harness assembly
- ◆ No obstructions behind any portion of the connector body allows cable adapter to be used with Combo-D connectors

APERTURE / STRAIN RELIEF

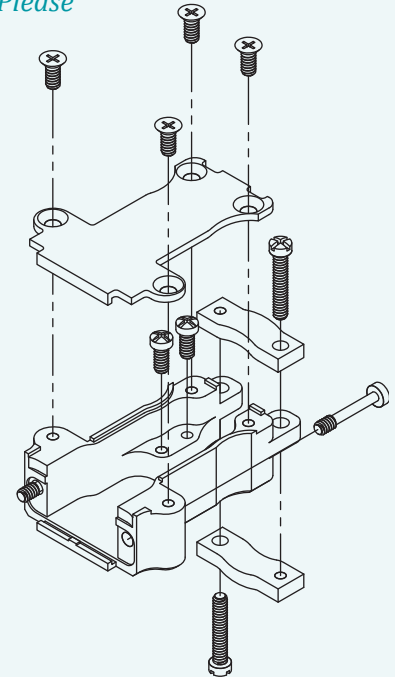
- ◆ Appropriate for high density wire bundles using twisted, shielded pairs
- ◆ Cable clamps can be “spooned” to provide strain relief for small wire bundle
- ◆ Wide form factor allows the user to easily meet bend radius requirements

THUMB GRIP

- ◆ Grip facilitates installation and removal in tight spaces

LOCKING SYSTEM

- ◆ Available with jackscrews or actuation lock system



TECHNICAL CHARACTERISTICS

MATERIAL AND FINISHES:

Cable Adapter & Cable Clamps: Aluminum, aluminum with electroless nickel plate; aluminum with yellow anodize; aluminum with yellow chromate conversion. Zinc content is 1% maximum.

Jackscrews & Screws: Steel with nickel plate; brass with zinc plate and chromate seal. Stainless steel options available, contact Technical Sales

Actuation Lock System: Steel with nickel plate.

MECHANICAL CHARACTERISTICS:

Ground Screws: Can accept up to 0.250 inch [6.35mm] diameter ring terminal.

Locking System: Jackscrews and quick disconnect lock system.

ELECTRICAL CHARACTERISTICS:

Range of Operation, Calculated Method: 2 GHz minimum.

CLIMATIC CHARACTERISTICS:

Temperature Range: -55°C to +125°C

WEIGHT CHART:

Contact Technical Sales for weights on T2, E6, E7 and V3 hardware options.

CABLE ADAPTER (HOOD) SIZE	D*1000ANVL ounces [grams]	D*1000ANE ounces [grams]
9	1.43 [40.50]	1.08 [30.54]
15	1.60 [45.24]	1.32 [37.44]
25	1.95 [55.22]	1.62 [45.92]
29	Contact Technical Sales	
37	2.53 [71.60]	2.19 [62.06]
50	2.61 [74.00]	2.26 [63.94]
104	n/a	2.41 [68.44]

All hardware in a cable adapter assembly including cable clamps, screws, etc.

NOTE:

*1 Designates size of cable adapter in part number.

continued on page 14

Visit our website for the latest catalog updates and supplements at
<http://www.connectpositronic.com/products/58/D-subminiatureAccessories/catalogs/>



TECHNICAL CHARACTERISTICS, continued

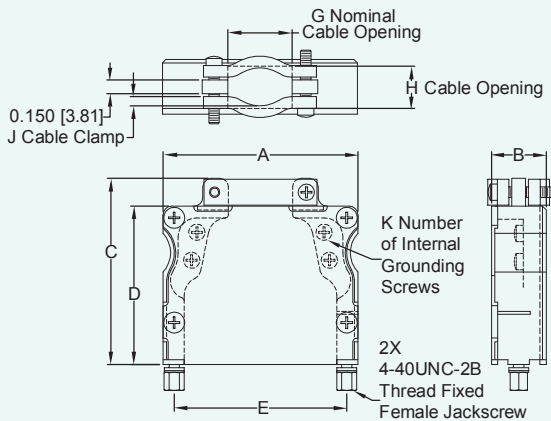
continued from page 13

MATERIAL & FINISH OPTIONS								
CODE NUMBER	CABLE ADAPTER (HOOD) & CABLE CLAMP FINISH	HARDWARE TYPE					HARDWARE MATERIAL & FINISH	
		T2	E	E6	E7	VL		V3
N	nickel	✓	✓	✓	✓	✓	✓	steel with nickel plate
C	no finish	✓	✓	✓	✓	✓	✓	steel with nickel plate
OPTIONAL MATERIAL & FINISHES								
A	anodize	✓	✓	✓	✓	✓	✓	steel with nickel plate
B	anodize	✓	✓	✓	✓			brass with zinc plate and chromate seal
D	no finish	✓	✓	✓	✓			brass with zinc plate and chromate seal
I	yellow chromate conversion	✓	✓	✓	✓	✓	✓	steel with nickel plate
J	yellow chromate conversion	✓	✓	✓	✓			brass with zinc plate and chromate seal



LIGHTWEIGHT ALUMINUM CABLE ADAPTER (HOOD) WITH FIXED FEMALE JACKSCREWS

CODE A*1T2



Also available with
Polarized Fixed Jackscrews. Contact
Technical Sales
for details.



TYPICAL PART NUMBER:
D25000ANT20

D15000ANT20 - Lightweight aluminum cable adapter with fixed female jackscrews, pictured with connector installed.

SHELL SIZE	CONNECTOR / CONTACT ARRANGEMENT COMPATIBILITY		PART NUMBER	A	B	C	D	E	G	H		J	K
										Min.*2	Max.		
1	Std-D: 9 High-D: 15	Combo-D: 5W1, 2WK2 Combo-D High-D: 8W2	D9000A*1T20	1.219 [30.96]	0.586 [14.88]	2.000 [50.08]	1.700 [43.18]	0.984 [24.99]	0.362 [9.19]	0.240 [6.10]	0.453 [11.51]	0.050 [1.27]	4
2	Std-D: 15 High-D: 26	Combo-D: 3W3, 3WK3, 7W2, 11W1 Combo-D High-D: 19W1	D15000A*1T20	1.547 [39.29]	0.586 [14.88]	2.000 [50.08]	1.700 [43.18]	1.312 [33.32]	0.690 [17.53]	0.350 [8.89]	0.453 [11.51]	0.100 [2.54]	4
3	Std-D: 25 High-D: 44	Combo-D: 5W5, 9W4, 13W3, 17W2, 21W1 Combo-D High-D: 15W4	D25000A*1T20	2.094 [53.19]	0.586 [14.88]	2.000 [50.08]	1.700 [43.18]	1.852 [47.04]	0.690 [17.53]	0.350 [8.89]	0.453 [11.51]	0.100 [2.54]	4
--	Std-D: 29 High-D: n/a	Combo-D: n/a Combo-D High-D: n/a	D29000A*1T20	1.776 [45.11]	0.689 [17.73]	2.000 [50.08]	1.700 [43.18]	1.534 [38.96]	0.690 [17.53]	0.350 [8.89]	0.564 [14.33]	0.100 [2.54]	4
4	Std-D: 37 High-D: 62	Combo-D: 8W8, 13W6, 17W5, 21WA4, 25W3, 27W2 Combo-D High-D: 45W2	D37000A*1T20	2.736 [69.49]	0.586 [14.88]	2.250 [57.15]	1.950 [49.53]	2.500 [63.50]	1.242 [31.55]	0.410 [10.41]	0.453 [11.51]	0.130 [3.30]	6
5	Std-D: 50 High-D: 78	Combo-D: 24W7, 36W4, 43W2, 47W1 Combo-D High-D: n/a	D50000A*1T20	2.642 [67.11]	0.689 [17.73]	2.250 [57.15]	1.950 [49.53]	2.406 [61.11]	1.242 [31.55]	0.410 [10.41]	0.564 [14.33]	0.130 [3.30]	6
6	Std-D: n/a High-D: 104	Combo-D: 46W4 Combo-D High-D: n/a	D104000A*1T20	2.736 [69.49]	0.760 [19.30]	2.250 [57.15]	1.950 [49.53]	2.500 [63.50]	1.242 [31.55]	0.410 [10.41]	0.627 [15.93]	0.130 [3.30]	6

NOTES:

- *1 For completed part number, insert desired code number from "MATERIAL & FINISH OPTION" chart above.
- *2 Smaller cable openings may be achieved by inverting one or both cable clamps.

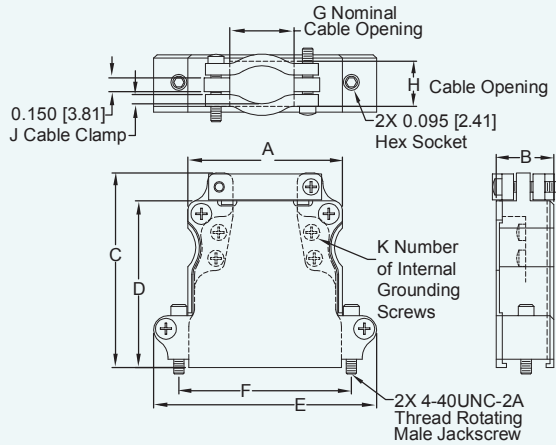
DIMENSIONS ARE IN INCHES [MILLIMETERS]. ALL DIMENSIONS ARE SUBJECT TO CHANGE.



LIGHTWEIGHT ALUMINUM CABLE ADAPTER (HOOD) WITH ROTATING JACKSCREWS CODE A*1E, A*1E6, AND A*1E7

CODE E

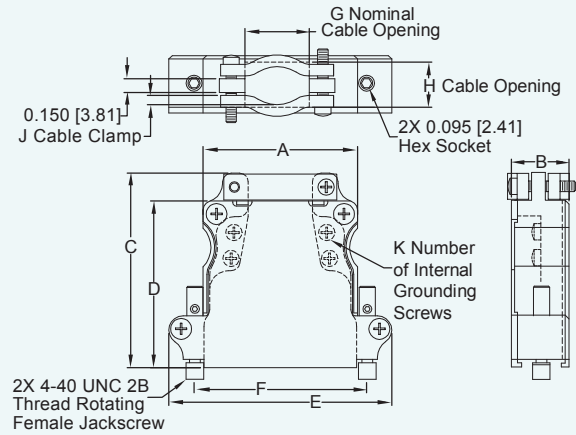
ROTATING MALE JACKSCREWS



TYPICAL PART NUMBER: D25000ACE0

CODE E7

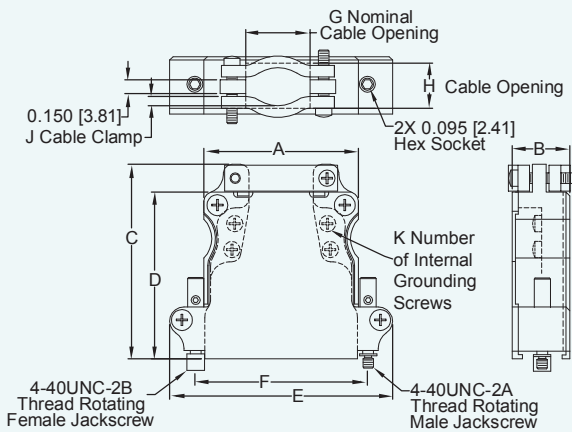
ROTATING FEMALE JACKSCREWS



TYPICAL PART NUMBER: D25000ANE70

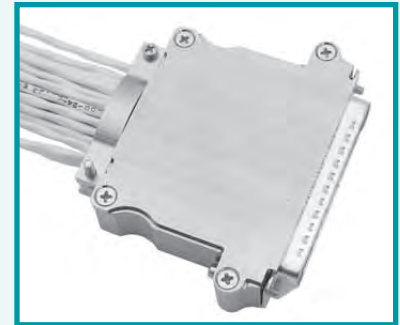
CODE E6

POLARIZED ROTATING JACKSCREWS



TYPICAL PART NUMBER: D25000ACE60

D37000ANE0- Lightweight aluminum cable adapter with rotating male jackscrews, pictured with connector installed.



For Technical Characteristics, see page 13

NOTES:

- *1 For completed part number, insert desired code number from "MATERIAL & FINISH OPTION" chart on page 14.
- *2 For completed part number, insert the desired code (E, E6 or E7) for required jackscrew option.
- *3 Smaller cable openings may be achieved by inverting one or both cable clamps.

SHELL SIZE	CONNECTOR / CONTACT ARRANGEMENT COMPATIBILITY		PART NUMBER	A	B	C	D	E	F	G	H		J	K
											Min.*3	Max.		
1	Std-D: 9 High-D: 15	Combo-D: 5W1, 2WK2 Combo-D High-D: 8W2	D9000A*1*20	0.908 [23.06]	0.616 [15.65]	2.090 [53.09]	1.790 [45.47]	1.524 [38.71]	0.984 [24.99]	0.362 [9.19]	0.240 [6.10]	0.483 [12.27]	0.050 [1.27]	4
2	Std-D: 15 High-D: 26	Combo-D: 3W3, 3WK3, 7W2, 11W1 Combo-D High-D: 19W1	D15000A*1*20	1.236 [31.39]	0.616 [15.65]	2.090 [53.09]	1.790 [45.47]	1.852 [47.04]	1.312 [33.32]	0.690 [17.53]	0.350 [8.89]	0.483 [12.27]	0.100 [2.54]	4
3	Std-D: 25 High-D: 44	Combo-D: 5W5, 9W4, 13W3, 17W2, 21W1 Combo-D High-D: 15W4	D25000A*1*20	1.656 [42.06]	0.616 [15.65]	2.090 [53.09]	1.790 [45.47]	2.392 [60.76]	1.852 [47.04]	0.690 [17.53]	0.350 [8.89]	0.483 [12.27]	0.100 [2.54]	4
--	Std-D: 29 High-D: n/a	Combo-D: n/a Combo-D High-D: n/a	D29000A*1*20	1.338 [33.99]	0.727 [18.47]	2.090 [53.09]	1.790 [45.47]	2.074 [52.68]	1.534 [38.96]	0.690 [17.53]	0.350 [8.89]	0.594 [15.09]	0.100 [2.54]	4
4	Std-D: 37 High-D: 62	Combo-D: 8W8, 13W6, 17W5, 21WA4, 25W3, 27W2 Combo-D High-D: 45W2	D37000A*1*20	2.304 [58.52]	0.616 [15.65]	2.340 [59.44]	2.040 [51.82]	3.040 [77.22]	2.500 [63.50]	1.242 [31.55]	0.410 [10.41]	0.483 [12.27]	0.130 [3.30]	6
5	Std-D: 50 High-D: 78	Combo-D: 24W7, 36W4, 43W2, 47W1 Combo-D High-D: n/a	D50000A*1*20	2.210 [56.13]	0.727 [18.47]	2.340 [59.44]	2.040 [51.82]	2.946 [74.83]	2.406 [61.11]	1.242 [31.55]	0.410 [10.41]	0.594 [15.09]	0.130 [3.30]	6
6	Std-D: n/a High-D: 104	Combo-D: 46W4 Combo-D High-D: n/a	D104000A*1*20	2.304 [58.52]	0.790 [20.07]	2.340 [59.44]	2.040 [51.82]	3.040 [77.22]	2.500 [63.50]	1.242 [31.55]	0.410 [10.41]	0.657 [16.69]	0.130 [3.30]	6



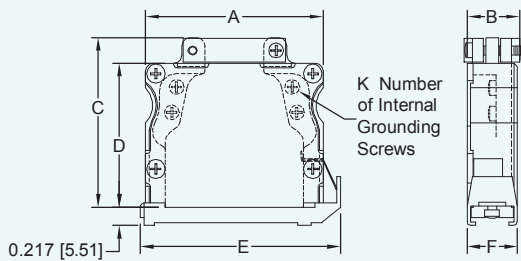
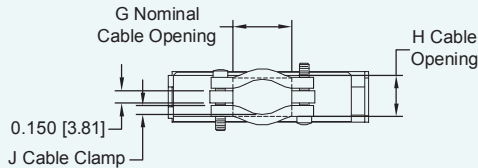
LIGHTWEIGHT ALUMINUM CABLE ADAPTER (HOOD)

WITH QUICK DISCONNECT LOCKING DEVICE

CODE A*1VL AND A*1V3

CODE VL

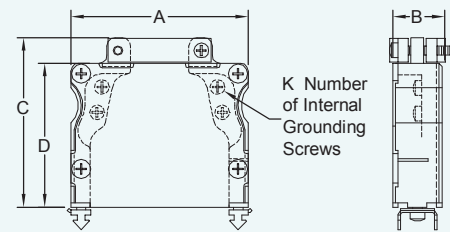
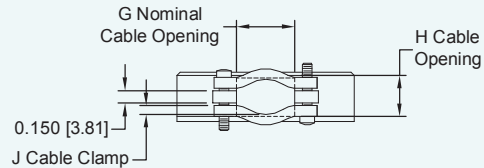
LOCK ACTUATION LEVER



TYPICAL PART NUMBER: D25000ANVLO

CODE V3

LOCKING TABS



TYPICAL PART NUMBER: D25000ACV30

Also available with
Back panel mounted
locking tabs,
see page 28 for details.

D25000ANVLO -
Lightweight aluminum
cable adapter with
vibration lock lever,
pictured with connector
installed.



NOTES:

- *1 For completed part number, insert desired code number from "MATERIAL & FINISH OPTION" chart on page 14.
- *2 Smaller cable openings may be achieved by inverting one or both cable clamps.

SHELL SIZE	CONNECTOR / CONTACT ARRANGEMENT COMPATIBILITY		PART NUMBER	A	B	C	D	E	F	G	H		J	K
											Min.*2	Max.		
1	Std-D: 9 High-D: 15	Combo-D: 5W1, 2WK2 Combo-D High-D: 8W2	D9000A*1VL0	1.219 [30.96]	0.586 [14.88]	2.000 [50.08]	1.700 [43.18]	1.460 [37.08]	0.592 [15.04]	0.362 [9.19]	0.240 [6.10]	0.453 [11.51]	0.050 [1.27]	4
			D9000A*1V30	---	---	---	---	---	---	---	---	---	---	
2	Std-D: 15 High-D: 26	Combo-D: 3W3, 3WK3, 7W2, 11W1 Combo-D High-D: 19W1	D15000A*1VL0	1.547 [39.29]	0.586 [14.88]	2.000 [50.08]	1.700 [43.18]	1.770 [44.96]	0.592 [15.04]	0.690 [17.53]	0.350 [8.89]	0.453 [11.51]	0.100 [2.54]	4
			D15000A*1V30	---	---	---	---	---	---	---	---	---	---	
3	Std-D: 25 High-D: 44	Combo-D: 5W5, 9W4, 13W3, 17W2, 21W1 Combo-D High-D: 15W4	D25000A*1VL0	2.094 [53.19]	0.586 [14.88]	2.000 [50.08]	1.700 [43.18]	2.360 [59.94]	0.592 [15.04]	0.690 [17.53]	0.350 [8.89]	0.453 [11.51]	0.100 [2.54]	4
			D25000A*1V30	---	---	---	---	---	---	---	---	---	---	
--	Std-D: 29 High-D: n/a	Combo-D: n/a Combo-D High-D: n/a	D29000A*1VL0	1.776 [45.11]	0.689 [17.73]	2.000 [50.08]	1.700 [43.18]	2.030 [51.56]	0.715 [18.16]	0.690 [17.53]	0.350 [8.89]	0.564 [14.33]	0.100 [2.54]	4
			D29000A*1V30	---	---	---	---	---	---	---	---	---	---	
4	Std-D: 37 High-D: 62	Combo-D: 8W8, 13W6, 17W5, 21WA4, 25W3, 27W2 Combo-D High-D: 45W2	D37000A*1VL0	2.736 [69.49]	0.586 [14.88]	2.250 [57.15]	1.950 [49.53]	3.015 [76.58]	0.592 [15.04]	1.242 [31.55]	0.410 [10.41]	0.453 [11.51]	0.130 [3.30]	6
			D37000A*1V30	---	---	---	---	---	---	---	---	---	---	
5	Std-D: 50 High-D: 78	Combo-D: 24W7, 36W4, 43W2, 47W1 Combo-D High-D: n/a	D50000A*1VL0	2.642 [67.11]	0.689 [17.73]	2.250 [57.15]	1.950 [49.53]	2.900 [73.66]	0.715 [18.16]	1.242 [31.55]	0.410 [10.41]	0.564 [14.33]	0.130 [3.30]	6
			D50000A*1V30	---	---	---	---	---	---	---	---	---	---	