



**POSITRONIC**<sup>®</sup>  
GLOBAL *Connector* SOLUTIONS

Quality Solutions  
Reliable Service

**POSITRONIC INDUSTRIES, INC.**  
Springfield, Missouri USA • 800-641-4054 • info@connectpositronic.com

**POSITRONIC INDUSTRIES, S.A.S.**  
Auch, France • 33 5 62 63 44 91 • contact@connectpositronic.com

**POSITRONIC ASIA PTE LTD.**  
Singapore • (65) 6842 1419 • singapore@connectpositronic.com

[www.connectpositronic.com](http://www.connectpositronic.com)

## D-SUBMINIATURE ACCESSORIES CATALOG CORRECTIONS



Dear Customer:

It is our goal to provide you with up-to-date product literature. In order to achieve this goal, we are supplying the attached pages.

These pages will update your D-subminiature Accessories to the new revision of **C-007 Rev E1**. It also will correct errors contained in our printed material and/or provide information about product expansion. These changes are indicated by ***bold italics and are underlined***. Please reference page numbers at the bottom of each page for proper placement in the catalog.

If you would like to request additional printed copies, e-mail your request to appropriate e-mail address listed above. Please indicate the catalog and revision level requested, along with your name, address, city, state/province, and postal code.

Also, updated PDF catalogs can be obtained by visiting our web site at <http://www.connectpositronic.com/documents/updates/>.

***C-007 Rev. E1***

### **PLEASE UPDATE YOUR CATALOG ACCORDINGLY.**

*We will make these corrections in the upcoming printing of this catalog. Contact us for any additional information at the location nearest you listed at the top of the page.*



Positronic Industries  
connectpositronic.com

# CABLE ADAPTERS (HOODS/BACKSHELLS)

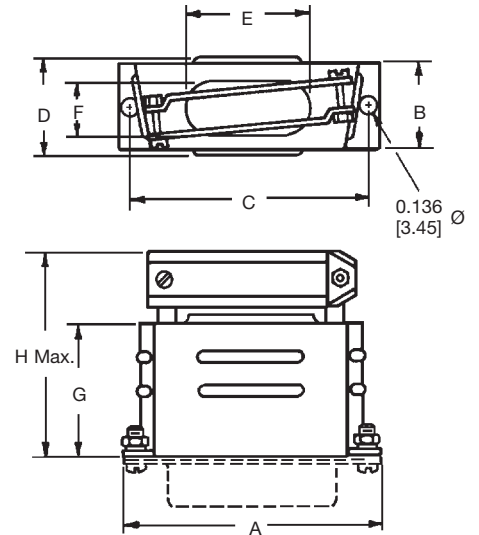
D-Sub  
Accessories

## METAL CABLE ADAPTER (HOOD) CODE H

**Material:** *Steel, zinc plate with chromate seal.*

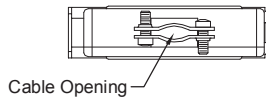
**NOTE:** Brass with gold plate finish is available for space applications. Contact Technical Sales for ordering information.

PART NUMBER (Shell Size)	A	B	C	D MAX.	E	F	G	H MAX.
D15000H00 (Shell Size 2)	1.531 [36.88]	0.492 [12.50]	1.312 [33.32]	0.578 [14.68]	0.713 [18.11]	0.312 [7.92]	0.750 [19.05]	1.219 [30.96]
D25000H00 (Shell Size 3)	2.078 [52.78]	0.492 [12.50]	1.852 [47.04]	0.578 [14.68]	1.000 [25.40]	0.312 [7.92]	1.000 [25.40]	1.532 [38.91]
D37000H00 (Shell Size 4)	2.718 [69.03]	0.492 [12.50]	2.500 [63.50]	0.578 [14.68]	1.375 [34.93]	0.312 [7.92]	1.000 [25.40]	1.532 [38.91]
D50000H00 (Shell Size 5)	2.625 [66.68]	0.601 [15.27]	2.406 [61.11]	0.687 [17.45]	1.406 [35.71]	0.406 [10.31]	1.125 [28.58]	1.657 [42.09]



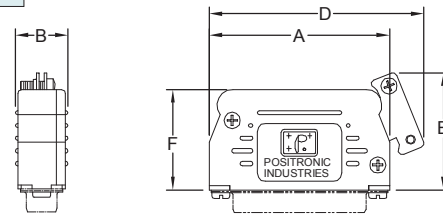
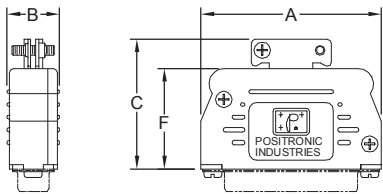
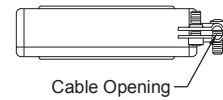
## PLASTIC CABLE ADAPTER (HOOD) CODE J AND L

**CODE J**  
TOP OPENING



*Typically used  
with Quick  
Disconnect  
Locking Device,  
see page 28*

**CODE L**  
SIDE OPENING



**Material:**

**Cable Adapter:** Glass-filled nylon, 94V-0.

**Cable Clamps:** Steel, nickel plate.



D25000LVLO

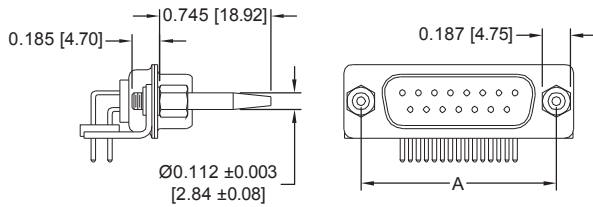
PART NUMBER (Shell Size)	A	B	C	D	E	F	CABLE OPENING	
							MINIMUM	MAXIMUM
D9000J00 D9000L00 (Shell Size 1)	1.262 [32.05]	0.593 [15.06]	1.310 [28.70]	1.520 [38.61]	1.030 [26.16]	0.864 [21.95]	0.145 [3.43]	0.280 [7.11]
D1500J00 D1500L00 (Shell Size 2)	1.551 [39.40]	0.649 [16.48]	1.414 [35.92]	1.900 [48.26]	1.240 [31.50]	1.022 [25.96]	0.160 [4.06]	0.275 [6.99]
D2500J00 D2500L00 (Shell Size 3)	2.129 [54.08]	0.621 [15.77]	1.533 [38.94]	2.492 [63.30]	1.380 [35.10]	1.186 [30.12]	0.110 [2.79]	0.275 [6.99]
D2900J00 D2900L00	1.801 [45.75]	0.697 [17.70]	1.537 [39.04]	2.164 [54.97]	1.390 [35.31]	1.196 [30.38]	0.110 [2.79]	0.390 [9.91]
D3700J00 D3700L00 (Shell Size 4)	2.786 [70.76]	0.650 [16.51]	1.844 [46.84]	3.188 [79.20]	1.690 [42.93]	1.506 [38.25]	0.230 X 0.630 [5.84] X [16.00]	0.350 X 0.630 [8.89] X [16.00]
D5000J00 D5000L00 (Shell Size 5)	2.688 [68.28]	0.745 [18.92]	1.839 [46.71]	3.015 [76.58]	1.690 [42.93]	1.504 [38.23]	0.230 X 0.630 [5.84] X [16.00]	0.430 X 0.630 [10.92] X [16.00]



BLIND MATING SYSTEM

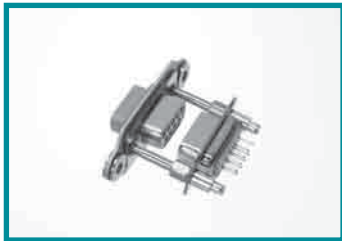
BLIND MATING GUIDE PINS

TO OBTAIN BLIND MATING GUIDE PINS, ADD THE SUFFIX  
"-759.0" TO THE END OF THE PART NUMBER.



TYPICAL PART NUMBER:  
MD15M5R7000-759.0

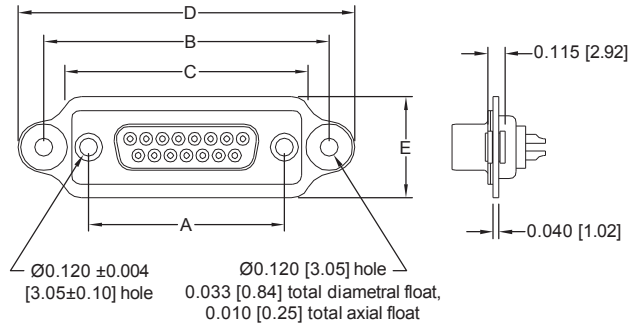
**Material:** Steel with zinc plate and chromate seal or tin plate; stainless steel, passivated



RD9S1000-759.1 and  
HDC9M3S6000-14-759.0

FLOAT MOUNTING PLATE

TO OBTAIN FLOAT MOUNTING PLATE, ADD THE SUFFIX  
"-759.1" TO THE END OF THE PART NUMBER.



TYPICAL PART NUMBER:  
MD15F20000-759.1

**Material:** Aluminum, yellow anodize standard.  
Black anodize available.



ODD26M20000-759.1 and  
ODD26F4R700S-759.0

SHELL SIZE	A	B	C	D	E
1	0.984 [24.99]	1.586 [40.28]	1.333 [33.86]	1.930 [49.02]	0.677 [17.20]
2	1.312 [33.22]	1.914 [48.62]	1.661 [42.19]	2.258 [57.35]	0.677 [17.20]
3	1.852 [47.04]	2.461 [62.51]	2.208 [56.08]	2.805 [71.25]	0.677 [17.20]
SPECIAL SIZE 29	1.534 [38.96]	2.146 [54.43]	1.890 [48.01]	2.487 [63.17]	0.789 [20.04]
4	2.500 [63.50]	3.102 [78.79]	2.849 [72.36]	3.446 [87.53]	0.677 [17.20]
5	2.406 [61.11]	3.008 [76.40]	2.755 [69.98]	3.352 [85.14]	0.789 [20.04]

CONTACT TECHNICAL SALES FOR ADDITIONAL ORDERING INFORMATION

Visit our website for the latest catalog updates and supplements at  
<http://www.connectpositronic.com/products/58/D-subminiatureAccessories/catalogs/>