



Positronic Industries
connectpositronic.com

UNIQUE FEATURES



D-Sub
Accessories

U N I Q U E F E A T U R E S



POSITRONIC[®]
GLOBAL *Connector* SOLUTIONS

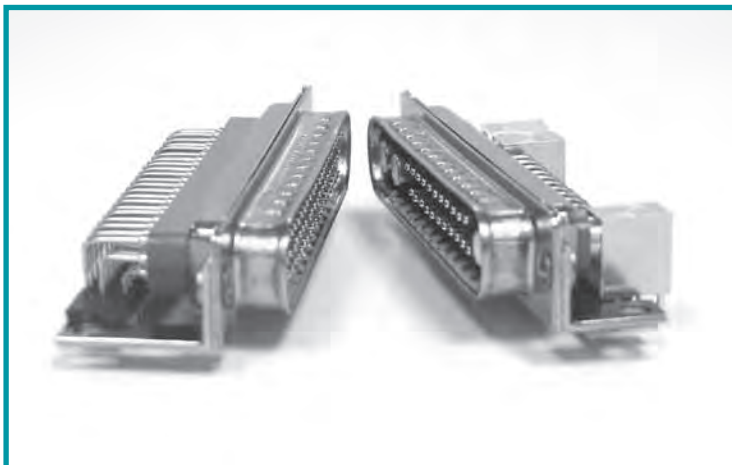
Positronic Industries is **known** around the world **for offering** our customers **flexibility** when choosing connectors.

In addition to allowing **customers** to **create** part numbers for **particular applications**, Positronic offers a **wide variety** of features and accessories within our products.

Positronic is also **eager** to modify existing products **to meet unique customer requirements**. If you do not find what you need with this catalog, please contact us for assistance.

FLARED CONNECTOR HOUSING (SHELLS)

Flared connector housings provide a more **generous misalignment** characteristics than standard D-subminiature connector housings.



SIDE VIEWS OF FLARED CONNECTOR HOUSING (SHELL) FOR
DD62M4R7000-1503.33 (shown left) and
CBD25W3M85R7000-1503.33 (shown right)



Standard
Connector Housing



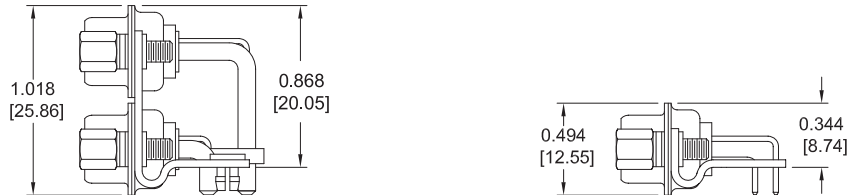
Flared
Connector Housing

CONTACT TECHNICAL SALES FOR
PART NUMBERS AND DETAIL INFORMATION



LOW PROFILE MOUNTING BRACKET

Allows reduced distance from the top of the printed circuit board to the top of the connector compared to standard mounting brackets.



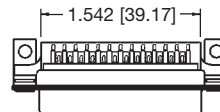
Mounting bracket material: Brass with zinc plate and chromate seal or tin plate.

CONTACT TECHNICAL SALES FOR MORE INFORMATION

CAPTIVE ALIGNMENT BARS FOR ROBOTIC "PICK AND PLACE" APPLICATIONS

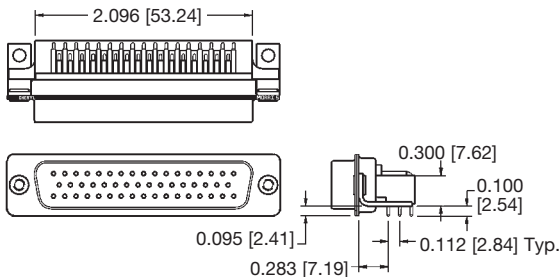
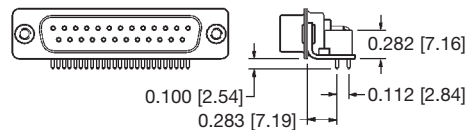
FOR MD-SERIES CONNECTORS, ADD THE SUFFIX "1298.3" TO THE END OF THE PART NUMBER.
FOR ODD-SERIES CONNECTORS, ADD THE SUFFIX "1298.4" TO THE END OF THE PART NUMBER.

Material: Polyphenylenesulfide.

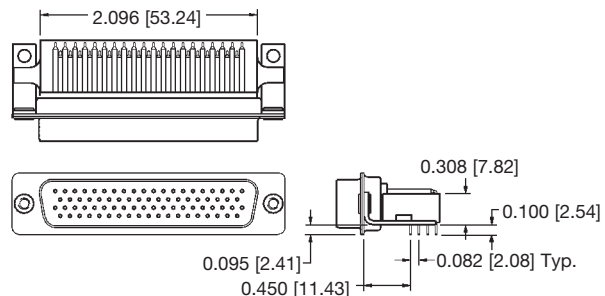


TYPICAL PART NUMBER:
MD25M5R7000-1298.3

CONTACT TECHNICAL SALES FOR MINIMUM ORDER QUANTITIES AND PRODUCTION LEAD TIMES



TYPICAL PART NUMBER:
MD50F5R7000-1298.3



TYPICAL PART NUMBER:
ODD78F5R7000-1298.4



Positronic Industries
connectpositronic.com

UNIQUE FEATURES



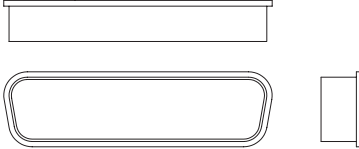
D-Sub
Accessories

PROTECTIVE COVER

SUPPLIED AS STANDARD WITH ALL WD AND WDD SERIES CONNECTORS

COVER WITHOUT EARS

FOR CONNECTORS WITHOUT FIXED JACKSCREWS



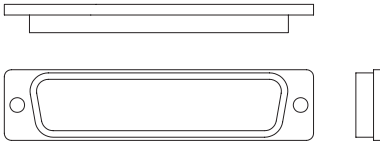
Material: Conductive polyethylene
Color: Black

Optional:

Material: Static dissipative ethylene vinyl acetate
Color: Pink

COVER WITH EARS

FOR CONNECTORS WITH FIXED JACKSCREWS



Material: Conductive polyester
Color: Black

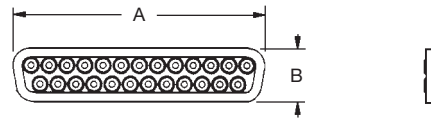
SHELL SIZE	GENDER	CONDUCTIVE REPLACEMENT PART NUMBER WITHOUT EARS	STATIC DISSIPATIVE REPLACEMENT PART NUMBER WITHOUT EARS	REPLACEMENT PART NUMBER WITH EARS
1	Male	4931-9-0-0	4931-9-1-0	4931-9-100-0
	Female	4932-9-0-0	4932-9-1-0	4932-9-100-0
2	Male	4931-15-0-0	4931-15-1-0	4931-15-100-0
	Female	4932-15-0-0	4932-15-1-0	4932-15-100-0
3	Male	4931-25-0-0	4931-25-1-0	4931-25-100-0
	Female	4932-25-0-0	4932-25-1-0	4932-25-100-0
4	Male	4931-37-0-0	4931-37-1-0	4931-37-100-0
	Female	4932-37-0-0	4932-37-1-0	4932-37-100-0
5	Male	4931-50-0-0	4931-50-1-0	4931-50-100-0
	Female	4932-50-0-0	4932-50-1-0	4932-50-100-0
6	Male	---	---	4931-16-100-0
	Female	---	---	4932-16-100-0

INTERFACIAL SEAL

AVAILABLE FOR MALE CONNECTORS ONLY

SUPPLIED AS STANDARD WITH ALL MALE WD AND WDD SERIES CONNECTORS

CONNECTOR ARRANGEMENTS (SHELL SIZE)	A	B
9 / 15 (Shell Size 1)	0.678 [17.22]	0.338 [8.59]
15 / 26 (Shell Size 2)	1.002 [25.45]	0.338 [8.59]
25 / 44 (Shell Size 3)	1.550 [39.37]	0.338 [8.59]
37 / 62 (Shell Size 4)	2.189 [55.60]	0.338 [8.59]
50 / 78 (Shell Size 5)	2.085 [52.96]	0.446 [11.33]



CONTACT ARRANGEMENT SIZE 25
INTERFACIAL SEAL
(SHOWN FOR REFERENCE ONLY)

Material: Thermoplastic Elastomer (TPE), Santoprene™ or equivalent.

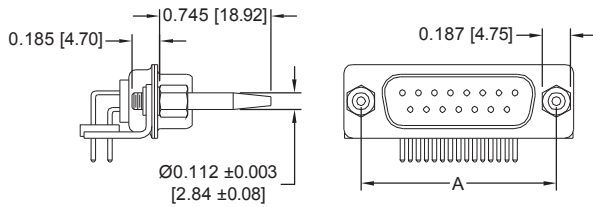
CONTACT TECHNICAL SALES
FOR PART NUMBERS



BLIND MATING SYSTEM

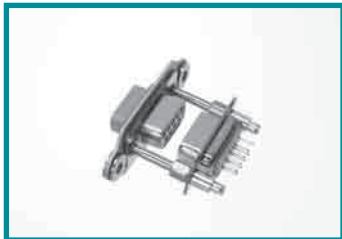
BLIND MATING GUIDE PINS

TO OBTAIN BLIND MATING GUIDE PINS, ADD THE SUFFIX
“-759.0” TO THE END OF THE PART NUMBER.



TYPICAL PART NUMBER:
MD15M5R7000-759.0

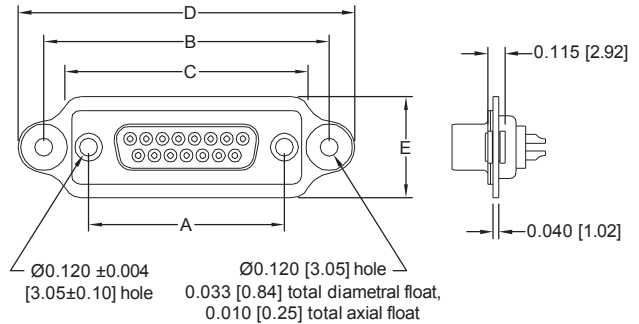
Material: Steel with zinc plate and chromate seal or tin plate; stainless steel, passivated



RD9S1000-759.1 and
HDC9M3S6000-14-759.0

FLOAT MOUNTING PLATE

TO OBTAIN FLOAT MOUNTING PLATE, ADD THE SUFFIX
“-759.1” TO THE END OF THE PART NUMBER.



TYPICAL PART NUMBER:
MD15F20000-759.1

Material: Aluminum, yellow anodize standard.
Black anodize available.



ODD26M20000-759.1 and
ODD26F4R700S-759.0

SHELL SIZE	A	B	C	D	E
1	0.984 [24.99]	1.586 [40.28]	1.333 [33.86]	1.930 [49.02]	0.677 [17.20]
2	1.312 [33.22]	1.914 [48.62]	1.661 [42.19]	2.258 [57.35]	0.677 [17.20]
3	1.852 [47.04]	2.461 [62.51]	2.208 [56.08]	2.805 [71.25]	0.677 [17.20]
SPECIAL SIZE 29	1.534 [38.96]	2.146 [54.43]	1.890 [48.01]	2.487 [63.17]	0.789 [20.04]
4	2.500 [63.50]	3.102 [78.79]	2.849 [72.36]	3.446 [87.53]	0.677 [17.20]
5	2.406 [61.11]	3.008 [76.40]	2.755 [69.98]	3.352 [85.14]	0.789 [20.04]

CONTACT TECHNICAL SALES FOR ADDITIONAL ORDERING INFORMATION

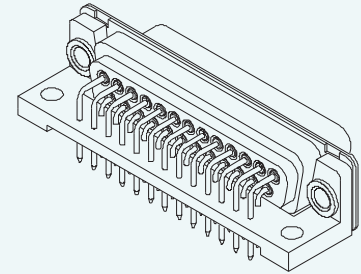
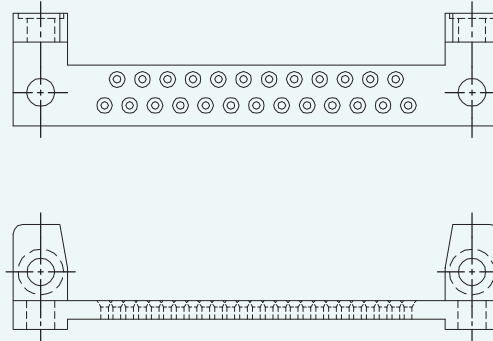
Visit our website for the latest catalog updates and supplements at
<http://www.connectpositronic.com/products/58/D-subminiatureAccessories/catalogs/>



SWAGEABLE PLASTIC MOUNTING BRACKET WITH ALIGNMENT BAR

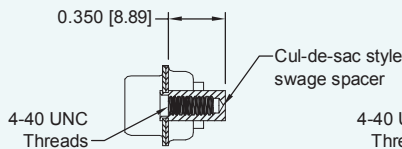


Non-conductive mounting brackets are necessary in many applications. Consult Technical Sales for complete part number.

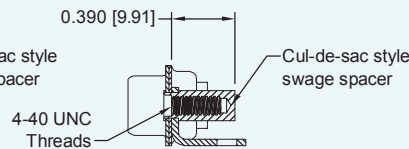


CUL-DE-SAC STYLE MOUNTING ACCESSORIES CODE C5 AND C7

C5
FIXED CABLE CONNECTOR



C7
RIGHT ANGLE (90°)
PRINTED BOARD MOUNT



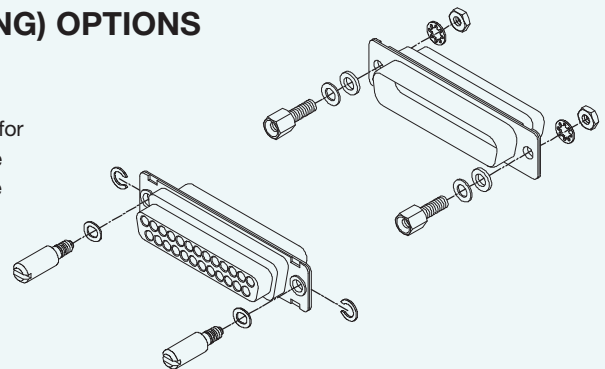
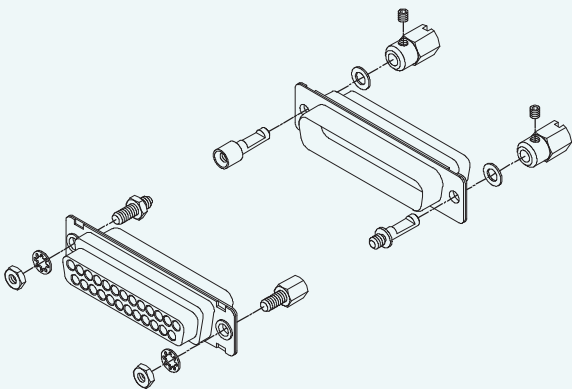
Material: Steel with zinc plate and chromate seal or tin plate; stainless steel, passivated.



CODING DEVICE (KEYING) OPTIONS

UP TO EIGHT CODING DEVICE OPTIONS!

Jackscrews can be supplied in configurations to allow for up to four coding device options, as shown in the table below. An additional four coding device options can be achieved by reversing the connector genders.



OPTION ^{*1}	MALE CONNECTOR	CODE ^{*2}	FEMALE CONNECTOR	CODE ^{*2}
1	2 male rotating	E	2 female fixed	T
2	2 female rotating	E6-833.7	2 male fixed	T6-866.1
3	1 female, 1 male rotating	E6	1 male, 1 female fixed	T6
4	1 male, 1 female rotating	E6-1827.1	1 female, 1 male fixed	T6-827.0

NOTE: ^{*1} Additional 4 options achieved by switching male and female connectors.

^{*2} For jackscrew dimensional information see page 27.