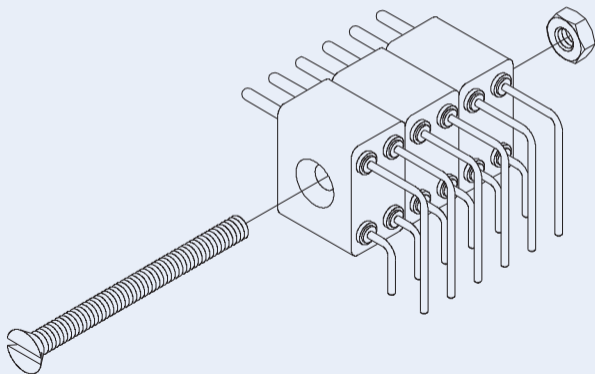


U N I Q U E F E A T U R E S

GF and GFPL connectors can be “STACKED” in building block fashion to create custom configurations.



NOTE:

Positronic
recommends the
use of a #2 82°
countersunk screw.

