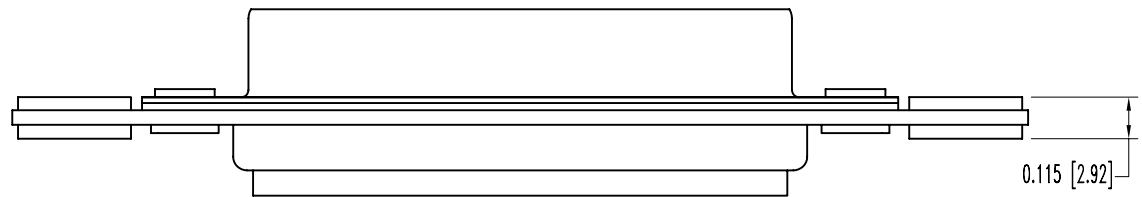
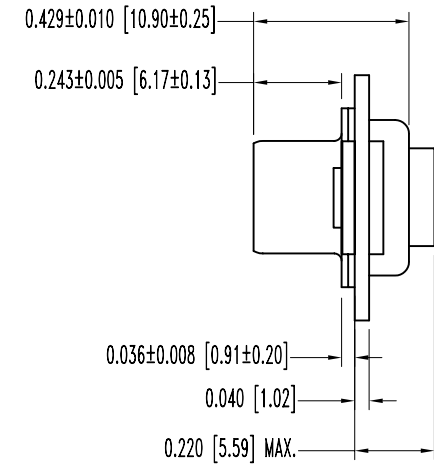
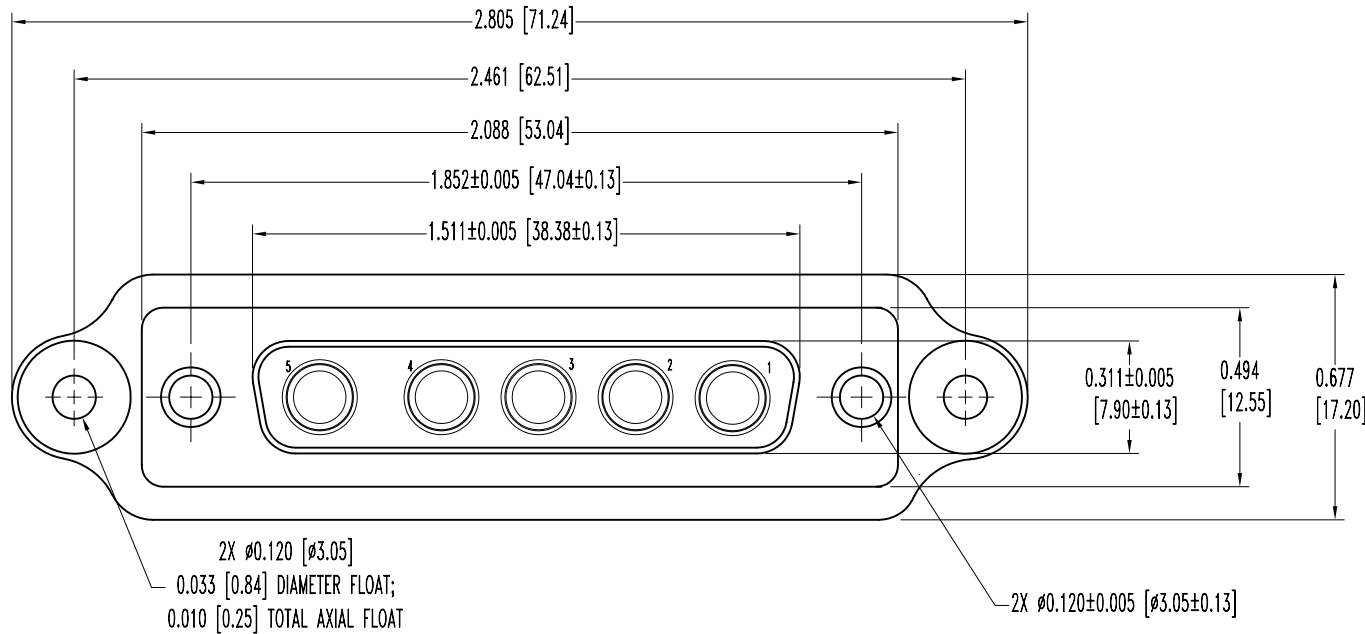


SK5313

POSITRONIC INDUSTRIES BELIEVES THE DATA ON THIS DRAWING TO BE RELIABLE. SINCE THE TECHNICAL INFORMATION IS GIVEN FREE OF CHARGE, THE USER EMPLOYS SUCH INFORMATION AT HIS OWN DISCRETION AND RISK. POSITRONIC INDUSTRIES ASSUMES NO RESPONSIBILITY FOR RESULTS OBTAINED OR DAMAGES INCURRED FROM USE OF SUCH INFORMATION IN WHOLE OR IN PART.

DATE	REV	REVISION RECORD	APP	DR	CK
2-18-04	NC	ECO 22018		YK	



- NOTES:
- MATERIALS AND FINISHES:
 INSULATOR: GLASS FILLED POLYESTER PER MIL-M-24519 UL94V-0, BLUE COLOR.
 SHELLS: STEEL, ZINC PLATE WITH DICHROMATE SEAL.
 MOUNTING PLATE: ALUMINUM, YELLOW ANODIZED.
 - ELECTRICAL CHARACTERISTICS:
 INSULATOR RESISTANCE: 5 G OHMS.
 WORKING VOLTAGE: 300 V r.m.s.
 - TEMPERATURE RANGE: -55°C TO +125°C.
 - MOS 759.1 ALLOWS FOR BLIND MATE MOUNTING PLATE TO BE INSTALLED.
 - DIMENSIONS ARE IN INCHES [MILLIMETERS].

	POSITRONIC INDUSTRIES INC. www.connectpositronic.com		SCALE	DRAWN BY
	CBD SERIES		N.T.S.	Y. KELLEYBREW
DECIMAL TOL. ± 0.015 [0.38]	TITLE CBD5W5F00000-759.1			
ANGULAR TOL. ± 5°	DATE 2-18-04	DRAWING NUMBER SK5313	REV. NC	